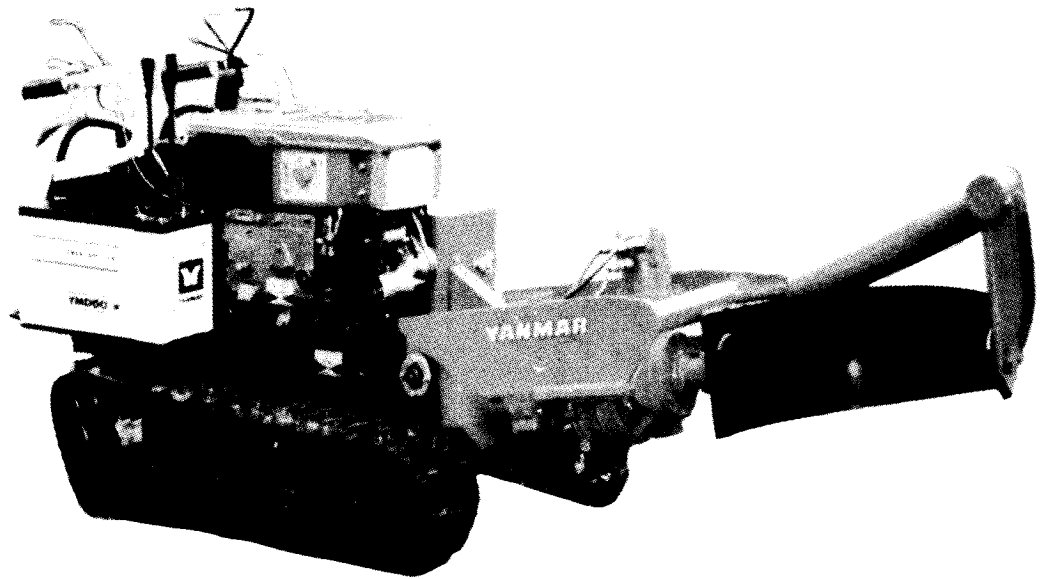


# **YANMAR TREE DIGGER**

**PARTS CATALOG**

**NPC-260 I**



MODEL

**YMD60-EC**  
**YMD60-N**

## YOUR PARTS ORDERING

- When placing your parts order with us, Please contact us upon confirming the Model, Part No, Description and Q'ty of the parts you want to order by this parts catalog.  
First look for the illustration of the part you want. Then you can find out the necessary informations by tracing the illustration No., as each illustration corresponds to the parts list on the following page.
- All parts the illustrations of which are not numbered shall not be sold separately.
- You are asked to prapare parts, especially consumable parts in the demand season earlier, as orders will come with a rush in this season.
- Parts other than those due to misshipping on your part shall not be allowed to returned in principle.
- Please surely use **YANMAR** Genuine Parts in any **YANMAR** Product.  
(Use of similar goods (parts) on the market causes earlier damage or worsening of performance.)

## HOW TO READ THIS PARTS CATALOG

- In the case where a Ref. No. given in the list does not agree with the corresponding Sketch No. in illustration (no suffix number as shown below), an illustration for such a New Part has been omitted only in the case of a parts change for which interchangeability Symbol N, R or K is given.

[Example]

Sketch No. in Illustration	Ref. No. in List	
1	1	(Before the change)
2	1	(After the change)
	2	

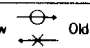
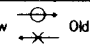
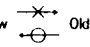
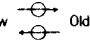
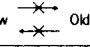
- Indication and meaning of level  
Level

- .....A number of dots indicated is called the level which refers to the assembly-component relation of an assembly part.  
(“.” refers to an assembly part.)
- .. ..Refers to a component included in an assembly part indicated by one dot (•).
- ... ..Refers to a component included in a complete part indicated by two dots (••).  
(It indicates a sub-componet of pertinent assembly part indicated by one dot (•).)

- Indication and meaning of interchangeability symbol

(Given under the column “I” next to the quantity column in the list)

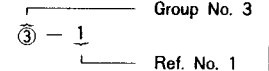
In the case where a parts change took place, one of the following interchangeability symbols is indicated for that part:

Symbol	Interchangeability	Contents note
N	New  Old	New Part is interchangeable for Old Part but not interchangeable conversely.
P	New  Old	Same as symbol N but supply of Old Part is suspended and New Part is sold in the future.
Q	New  Old	New Part is not interchangeable for Old Part but interchangeable conversely.
R	New  Old	New Part is interchangeable for Old Part and vice versa.
S	New  Old	New Part is not interchangeable for Old Part and vice versa.
W		Part newly added.
Z		Part discontinued.
F		Not interchangeable by single part but interchangeable by set of the related parts.
K		Changed only in quantity used.

- Remarks ..... (column “R” given at the right end of the list)  
9-1) A numerical or alphabetic character (symbol) may be indicated under the column “R”.  
9-2) A comment (remarks) for a part in question is given at the lower part of the list, following a symbol identical to the aftermentioned symbol when a symbol is indicated under the column “R”.

- Virtual No. in illustration

A Sketch No. in illustration containing an encircled numeral indicates other related Group No.

[Example]  indicated.

- Change Effective Machine No.

When a part is changed, a Change Effective Machine No. of such a model for which a New Part is applied is indicated as follows:

[Example] Model columns A ~ F

(Model indication is given in two kinds, namely, 4-model and 6-model indications.)  
correspond to A ~ F in front of Change Effective Machine No..

4-model Indication

(A) =
(B) =
(C) =
(D) =

6-model Indication

(A) =	(D) =
(B) =	(E) =
(C) =	(F) =

[Example] A=F610001 B=F612001

Model column A indicates that a parts change is put into effect from Machine No. 610001 and on. And moreover Model column B indicates that a parts change is put into effect from Machine No. 612001 and on.

[Classification]

E ..... Engine No.  
F ..... Machine Body No.  
R ..... Rotary Unit No. } indicated.

- Additional Group No. found in the Revised Edition

Kindly understand that a Group No. other than consecutive numbers has been entered in the case where the corresponding Group is added within the pertinent Section.

[Example]

Section

BODY SECTION

Group No.

Group mane

- 46. ENGINE FIXTURE & BATTERY
  - 47. FRAME & HYDRAULIC PUMP
  - 48. BEVEL GEAR CASE
  - 49. TRANSM. CASE & RUNNING CLUTCH
  - 50. CONTROL LEVERS
  - 51. CRAWLER
  - 64. ENGINE FIXTURE & BATTERY (Group added for the YSR1300-N)
  - 65. CONTROL LEVERS (Group added for the YSR1300-N)
- SNOW REMOVAL SECTION
- 52. CHUTE
  - 53. SNOW REMOVAL FRAME & BLOWER

Additional Groups are indicated.

Owing to the improvement of **YANMAR** Product involved or its parts, the contents of this Parts Catalog may be altered without prior notice to you.

## SPECIFICATIONS

Model		YMD60	
Dimensions	Overall length (mm)	2550( Blade:600)	
	Overall width (mm)	890	
	Overall height (mm)	1025	
	Weight (kg)	750( Blade:600)	
	Ground clearance (mm)	150	
	Climbing ability (deg.)	25	
Engine	Name	YANMAR DIESEL ENGINE	
	Model	NFD10-LEMD	
	Displacement (cc)	493	
	Output (ps/rpm)	10/2400	
	Starting system	Cell motor starter	
Traveling unit	Type	Endless rubber CRAWLER	
	Crawler standard	180 mm Width × 60 mm pitch Endless rubber roller	
	Crawler width ×	200 ×	
	Contact length (mm)	801	
	Contact pressure (kg/cm <sup>2</sup> )	0.225	
Travelling speed	Forward	1 st (km/h)	1.17
		2 nd (km/h)	2.16
		3 rd (km/h)	4.33
	Backward (km/h)	1.62	
Digging system		Vibrating blade system	
Diameter of dug bowl (mm)		Std 500, 600 Attachement 400, 450	

※ All technical data, measurement and weight are approximate, and the manufacturer has the right to make alteration without prior notice.

## PAINTING COLOR

SECTION	PAINTING COLOR	COLOR SPRAY	MAIN PARTS	COLOR CODE (FIGURE)
Main body	<b>YANMAR</b> Black	TOR-90220003	Chassis	1 2
Main body	<b>YANMAR</b> Red	TOR-90400003	Brade frame	5 0
Main body	<b>YANMAR</b> White	TOR-90250002	R cover	1 4

Please surely use **YANMAR** Genuine color spray any **YANMAR** agricultural machines.

Given painting color may be altered for improvement, etc. without prior notice.

# CONTENTS

## YOUR PARTS ORDERING

## SPECIFICATIONS

## PAINTING COLOR

## ENGINE UNIT(NFD10-LEMD)

### GROUP NO. GROUP NAME

1. CYLINDER BLOCK
2. LABEL
3. CYLINDER HEAD & BONNET
4. AIR CREAMER MUFFLER
5. CAMSHAFT & BARANCER
6. CRANKSHAFT & FLYWHEEL
7. PISTON & CONECTING ROD
8. L.O.SYSTEM & STARTING DEVICE
9. RADIATER & FUEL TANK
10. FAN
11. FUEL INJECTION PUMP
12. FUEL OIL SYSTEM
13. GOVERNOR & CONTROL DEVICE
14. STARTING MOTOR

## ENGINE & PULLEY SECTION

1. ENGIN MOUNTING
2. PULLEY

## COVER SECTION

3. COVER

## FRAME SECTION

4. VIBRATOR FRAME

## VIBRATOR UNIT

5. REDUCTION GEAR CASE
6. REDUCTION TRANSMISSION
7. VIBRATOR CASE
8. VIBRATOR
9. OVERDRIVE GEAR CASE

10. P.T.O. DRIVE

## BLADE SECTION

11. BLADE

## TRANSMISSION UNIT

12. TRAVEL CLUTCH
13. TRANSMISSION CASE

## 14. TRANSMISSION INTERIOR

15. SPEED CHANGE

## HANDLE SECTION

16. HANDLE
17. CONTROL

## HYDRAULIC SECTION

18. OIL TANK
19. PIPING
20. HYDRAULIC PUMP
21. HYDRAULIC VALVE
22. OIL MOTOR

## TRAVELING UNIT

23. CHASSIS FRAME
24. IDLER
25. TRACK ROLLER
26. SPROCKET & CRAWLER

## ELECTRICAL PARTS SECTION

27. REGULATOR
28. BATTERY

## LABEL SECTION

29. LABELS

## TOOL & ACCESSORY SECTION

30. TOOLS & ACCESSORIES

## PARTS INDEX

PARTS INDEX

TOOL & ACCESSORY SECTION

LABEL SECTION

ELECTRICAL PARTS SECTION

TRAVELING UNIT

HYDRAULIC SECTION

HANDLE SECTION

TRANSMISSION UNIT

BLADE SECTION

VIBRATOR UNIT

FRAME SECTION

COVER SECTION

ENGINE & PULLEY SECTION

ENGINE UNIT(NFD10LEMD)

1. CYLINDER BLOCK

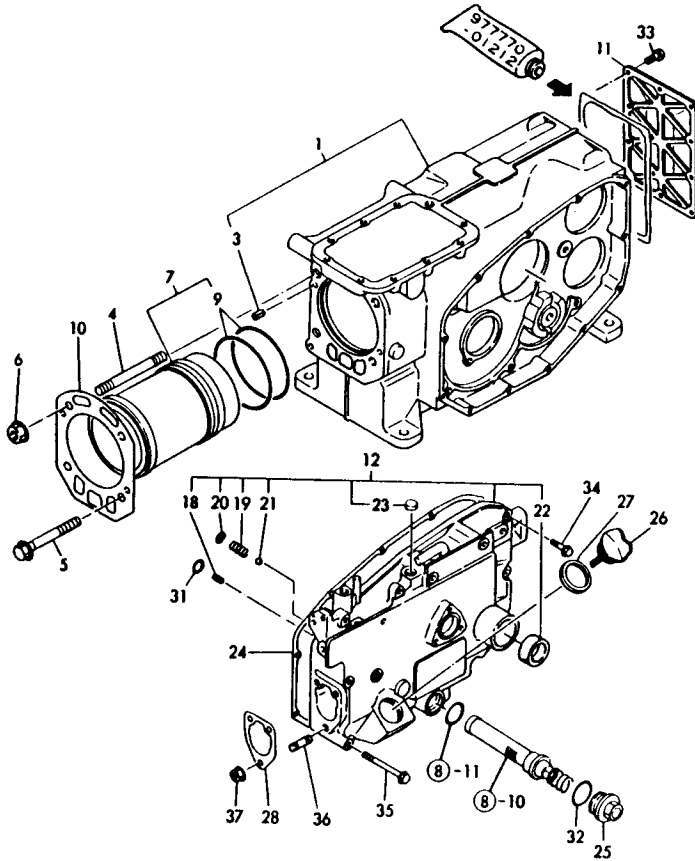
↑-----↑  
 ↑ 1803 ↑  
 ↑ (1802) ↑  
 ↑-----↑  
 NPC-2598

1. CYLINDER BLOCK

91.01.16

(A)=MFD10-LEMD (D)=  
 (B)= (E)=  
 (C)= (F)=

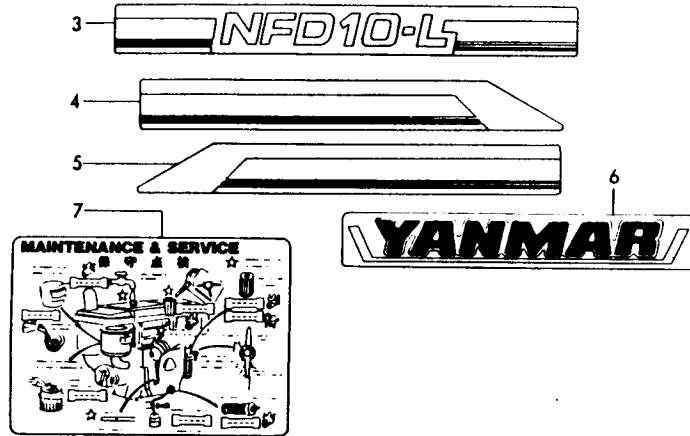
SPEC. CODE  
 D05402-01102  
 D05300-34200



REF. NO.	LEV. 0	PART NO.	DESCRIPTION	-----Q'TY-----						I	P	U	A	R
				(A)	(B)	(C)	(D)	(E)	(F)					
1	.	705300-01561	BODY ASSY, CYLINDER	1										1
3	..	22351-060012	SPRING PIN 6X12	2										10
4	.	105230-01200	STUD, CYL. HEAD	2										1
5	.	121550-01200	BOLT, CYL. HEAD	2										1
6	.	121450-01220	NUT, CYL. HEAD	2										1
7	.	705400-01900	LINER W/ O-RING, CYL.	1										1
9	..	105300-01300	O-RING, CYL. LINER	2										2
10	..	105300-01331	GASKET, CYL. HEAD	1										1
11	.	105300-01480	COVER, CYL. REAR	1										1
12	.	705302-01502	HOUSING, ASSY GEAR	1										1
18	..	22351-060012	SPRING PIN 6X12	1										10
19	..	105300-34040	SPRING	1										1
20	..	22252-000100	CIRCLIP 10	1										10
21	..	24190-120001	BALL 3/8, STEEL	1										5
22	..	105140-76500	SEAL TC 25 35 6, OIL	1										1
23	..	105100-01660	SEAL, BLIND	1										1
24	.	105300-01410	GASKET, GEAR CASE	1										1
25	.	105300-01690	PLUG, DRAIN	1										1
26	.	105302-01750	CAP, FILLER	1										1
27	.	101104-01760	GASKET, CAP	1										2
28	.	104271-01950	SHIM SET	1										1
31	.	24311-000060	O-RING 1A P-6.0	1										10
32	.	24321-000250	O-RING 1A 6-25.0	1										10
33	.	26106-060162	BOLT M 6X 16 PLATED	10										10
34	.	26106-060252	BOLT M 6X 25 PLATED	7										10
35	.	26106-060652	BOLT M 6X 65 PLATED	5										10
36	.	26216-080222	STUD M 8X 22 PLATED	3										10
37	.	26366-080002	NUT 8	3										10

2. LABEL

SPEC. CODE  
D05402-07120



↑-----↑  
↑ 1804 ↑  
↑ (1802) ↑  
↑-----↑  
NPC-2598

2. LABEL

91.01.16

(A)=NFD10-LEMD (D)=  
(B)= (E)=  
(C)= (F)=

REF. NO.	LEV. 0	PART NO.	DESCRIPTION	Q'TY						I P/U A R
				(A)	(B)	(C)	(D)	(E)	(F)	
3	.	105402-07070	LABEL	2						1
4	.	105402-07080	LABEL	1						1
5	.	105402-07090	LABEL	1						1
6	.	105092-07101	LABEL	1						1
7	.	105402-07100	LABEL	1						1

3. CYLINDER HEAD & BONNET

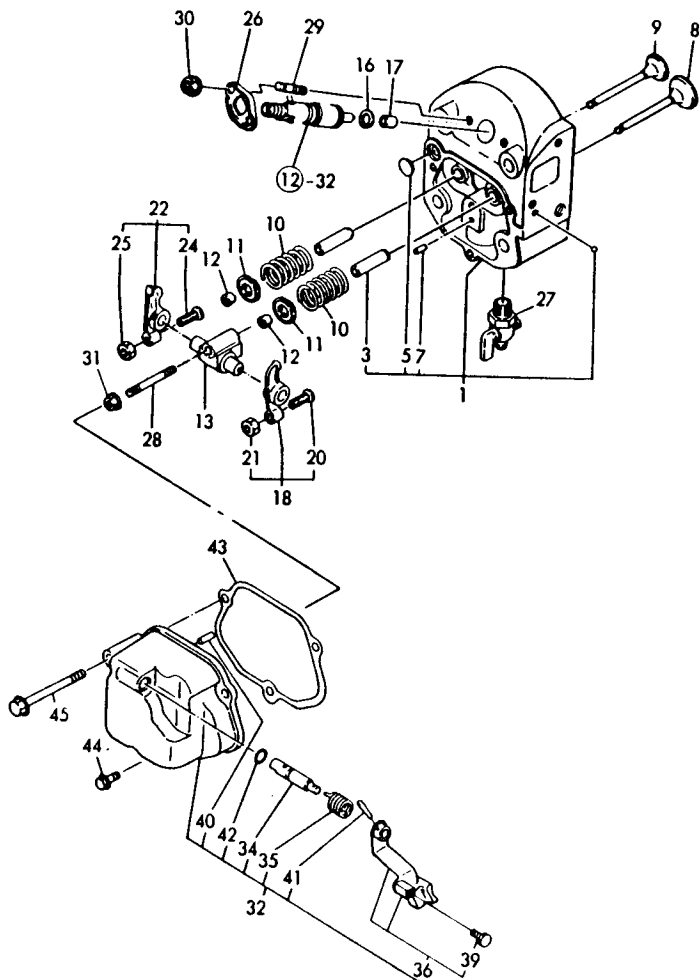
↑-----↑  
 I 1805 I  
 I (1802) I  
 ↑-----↑  
 NPC-2598

3. CYLINDER HEAD & BONNET

91.01.16

(A)=NFD10-LEMD (D)=  
 (B)= (E)=  
 (C)= (F)=

SPEC. CODE  
 D05300-11110  
 D05302-11200

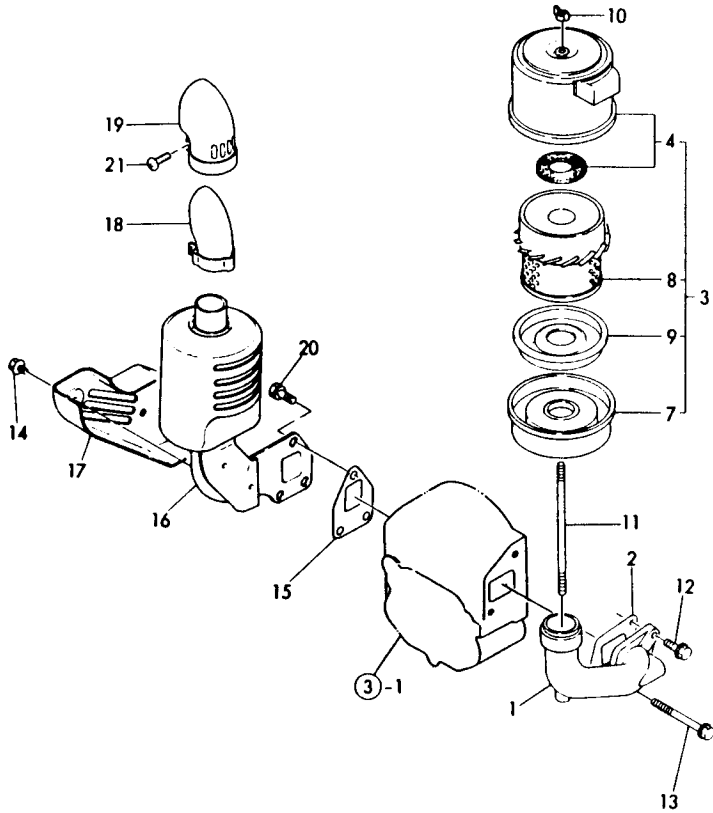


REF. NO.	LEV. 0	PART NO.	DESCRIPTION	-----Q'TY-----						I	P/U	A	R
				(A)	(B)	(C)	(D)	(E)	(F)				
1	.	705400-11700	HEAD ASSY, CYLINDER	1								1	
3	..	105300-11801	GUIDE, VALVE	2								1	
5	..	27231-150000	PLUG 15	1								1	
7	..	105300-11330	PIN	1								1	
8	..	105300-11100	VALVE, SUCTION	1								1	
9	..	105300-11111	VALVE, EXHAUST	1								1	
10	..	105400-11121	SPRING, VALVE	2								1	
11	..	101158-11180	RETAINER, SPRING	2								1	
12	..	101158-11190	COTTER	4								1	
13	..	105300-11290	SUPPORT, ROCKER ARM	1								1	
16	..	119625-11880	SEAT, NOZZLE	1								1	
17	..	119625-11870	PROTECTOR, NOZZLE	1								1	
18	..	105300-11650	ARM ASSY,ROCKER(SUC.	1								1	
20	..	101158-11230	SCREW, VALVE	1								1	
21	..	26756-080002	LOCK NUT M 8 PLATED	1								10	
22	..	105300-11660	ARM ASSY,ROCKER(EXH.	1								1	
24	..	101158-11230	SCREW, VALVE	1								1	
25	..	26756-080002	LOCK NUT M 8 PLATED	1								10	
26	..	105300-11900	RETAINER, F. INJECT.	1								1	
27	..	105010-11920	COCK	1								1	
28	..	26216-080452	STUD M 8X 45 PLATED	1								10	
29	..	26216-060352	STUD M 6X 35 PLATED	2								10	
30	..	26366-060002	NUT M 6	2								10	
31	..	26366-080002	NUT 8	1								10	
32	..	705302-11520	BONNET ASSY, HEAD	1								1	
34	..	104200-03600	SHAFT, DECOMPRESSION	1								1	
35	..	104200-03641	SPRING, DECOMPRESSION	1								1	
36	..	105302-03740	LEVER, DECOMPRESSION	1								1	
39	..	105225-66990	SCREW	1								1	
40	..	22312-030180	PARALLEL PIN 3X18	1								10	
41	..	22322-030180	TAPER PIN 3X18	1								10	
42	..	24311-000070	O-RING 1A P-7.0	1								10	
43	..	105300-11310	GASKET, BONNET	1								1	
44	..	105400-11010	BOLT M 6X 60 PLATED	1								10	
45	..	26106-060602	BOLT M 6X 60 PLATED	1								10	



4. AIR CREAMER MUFFLER

SPEC. CODE  
D05300-12110  
D05300-13110



4. AIR CREAMER MUFFLER

91.01.16

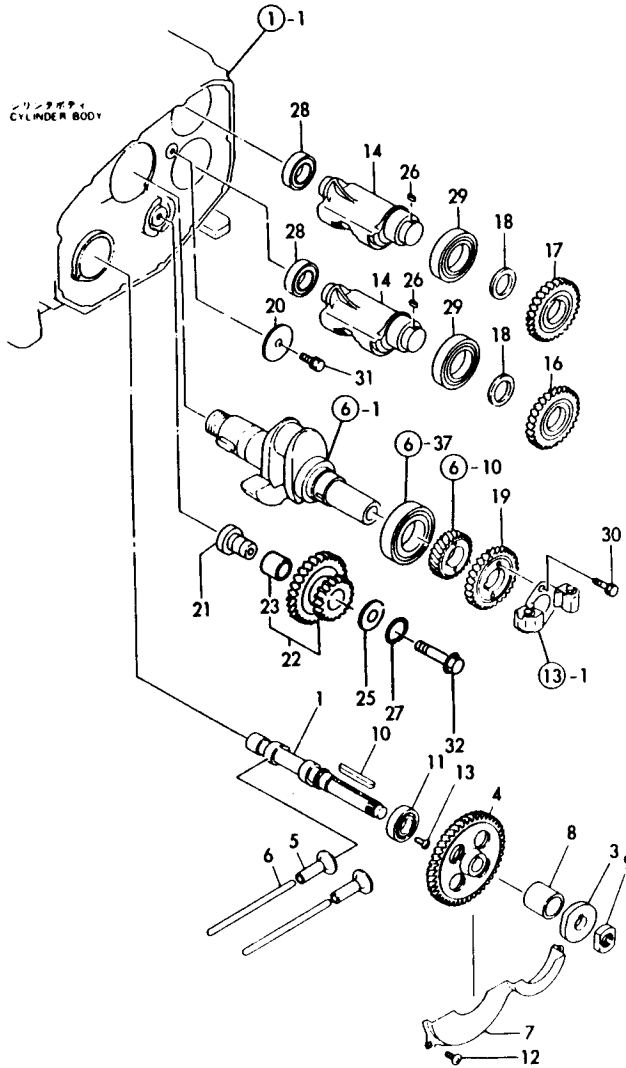
+-----+  
| 1806 |  
| (1802) |  
+-----+  
NPC-2598

(A)=MFD10-LEMD (D)=  
(B)= (E)=  
(C)= (F)=

REF. NO.	LEV. 0	PART NO.	DESCRIPTION	-----Q'TY-----						I P/U A R
				(A)	(B)	(C)	(D)	(E)	(F)	
1	.	105400-12020	PIPE, SUCTION	1						1
2	.	105400-12050	GASKET	1						1
3	.	105300-12511	CLEANER, AIR	1						1
4	..	105370-12531	COVER ASSY	1						1
7	..	105370-12540	PAN, DUST	1						1
8	..	105370-12570	ELEMENT, AIR CLEANER	1						1
9	..	105370-12670	BAFFLE	1						1
10	.	101147-12550	WING NUT	1						1
11	.	105300-12550	BOLT, AIR CLEANER	1						1
12	.	26106-080202	BOLT M 8X 20 PLATED	1						10
13	.	26106-080602	BOLT M 8X 60 PLATED	1						10
14	.	160260-01580	BOLT 6X6	2						1
15	.	105300-13200	GASKET, SILENCER	1						1
16	.	105300-13522	SILENCER	1						1
17	.	105300-13550	COVER, ELBOW	1						1
18	.	105370-13570	EXTENSION, EXH.	1						1
19	.	105212-13590	COVER	1						1
20	.	26013-080209	BOLT M 8X 20	3						10
21	.	26554-060162	SCREW M 6X 16	1						10

5. CAMSHAFT & BARANCER

SPEC. CODE  
D05302-14100  
D05302-28101



5. CAMSHAFT & BARANCER

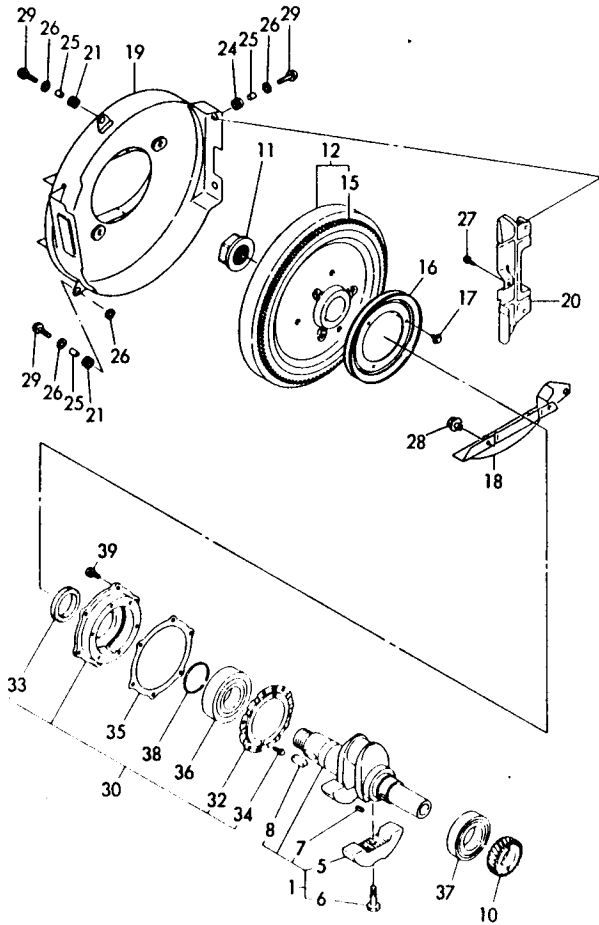
91.01.16

(A)=NFD10-LEMD (D)=  
(B)= (E)=  
(C)= (F)=

REF. NO.	LEV. 0	PART NO.	DESCRIPTION	-----Q'TY-----						I P/U A R
				(A)	(B)	(C)	(D)	(E)	(F)	
1	.	105400-14010	CAMSHAFT	1						1
3	.	105300-14090	CAM, FUEL	1						1
4	.	105300-14100	GEAR, CAM SHAFT	1						1
5	.	105300-14200	TAPPET	2						1
6	.	105300-14400	PUSH-ROD	2						1
7	.	105300-14600	COVER, GEAR	1						1
8	.	105302-14700	SPACER	1						1
9	.	104300-76460	NUT	1						1
10	.	22512-070600	KEY 7X 60	1						1
11	.	24101-060064	BALL BEARING	1						1
12	.	26022-060122	SCREW M 6X 12	3						10
13	.	26587-080122	SCREW M 8X 12	1						10
14	.	105300-28251	SHAFT, BALANCER	2						1
16	.	105300-28300	GEAR, BALANCER	1						1
17	.	105300-28310	GEAR, BALANCER	1						1
18	.	105300-28380	COLLAR, SHAFT	2						1
19	.	105300-28410	GEAR, BALANCER	1						1
20	.	105300-28450	RETAINER	1						1
21	.	105302-28701	IDLE SHAFT	1						1
22	.	105302-28710	GEAR W/BUSH	1						1
23	..	105302-28720	BUSH	1						1
25	.	105362-28750	SPACER	1						1
26	.	105215-76490	KEY	2						1
27	.	22242-000210	CIRCLIP 21	1						10
28	.	24101-060054	BALL BEARING	2						1
29	.	24101-060084	BALL BEARING	2						1
30	.	26013-060222	BOLT M 6X 22	2						10
31	.	26106-080162	BOLT M 8X 16 PLATED	1						10
32	.	26106-100652	BOLT M10X 65 PLATED	1						10

6. CRANKSHAFT & FLYWHEEL

SPEC. CODE  
D05400-02100  
D05302-21150  
D05472-21450



6. CRANKSHAFT & FLYWHEEL

91.01.16

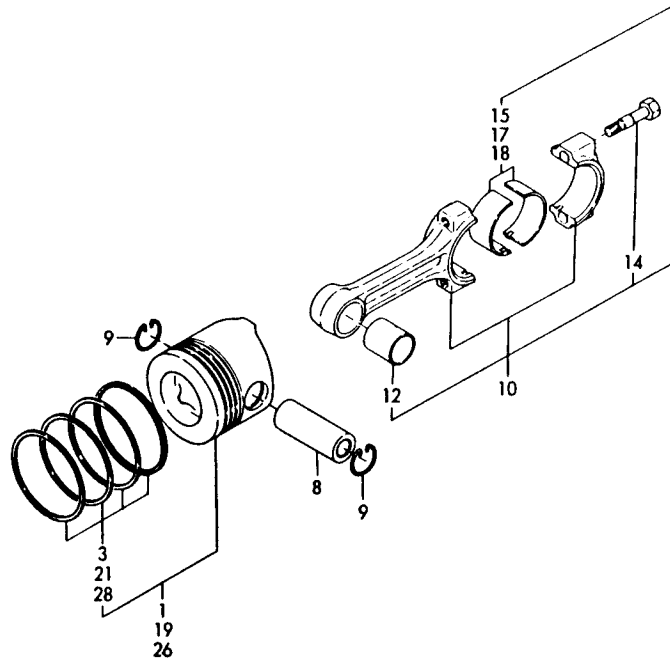
+-----+  
| 1808 |  
| (1802) |  
+-----+  
NPC-2598

(A)=NFD10-LEMD (D)=  
(B)= (E)=  
(C)= (F)=

REF. NO.	LEV. 0	PART NO.	DESCRIPTION	-----Q'TY-----						I	P/U	A	R
				(A)	(B)	(C)	(D)	(E)	(F)				
1	.	705300-21700	CRANKSHAFT ASSY.	1								1	
5	..	105300-21100	WEIGHT, BALANCER	2								1	
6	..	106100-21130	BOLT, BALANCE WEIGHT	2								1	
7	..	22512-050120	KEY 5X 12	1								1	
8	..	22512-100260	KEY 10X 26	1								1	
10	.	105300-21200	GEAR, CRANKSHAFT	1								1	
11	.	104200-21530	END NUT	1								1	
12	.	105300-21591	FLYWHEEL W/RING GEAR	1								1	
15	..	105362-21600	GEAR, RING	1								1	
16	.	104104-21600	V-PULLEY	1								1	
17	.	26106-060122	BOLT M 6X 12 PLATED	3								10	
18	.	105302-21320	COVER	1								1	
19	.	105472-21350	COVER, FLYWHEEL	1								1	
20	.	105300-21360	COVER (A)	1								1	
21	.	105300-21381	PAD	2								1	
24	.	105300-44451	CUSHION, RUBBER	2								1	
25	.	105300-44460	SPACER	4								1	
26	.	160120-76940	WASHER	5								1	
27	.	26106-060122	BOLT M 6X 12 PLATED	3								10	
28	.	26106-060122	BOLT M 6X 12 PLATED	2								10	
29	.	26106-060202	BOLT M 6X 20 PLATED	4								10	
30	.	705300-02500	HOUSING ASSY, BEARING	1								1	
32	..	105230-02320	RETAINER	2								1	
33	..	123325-02500	SEAL, OIL	1								1	
34	..	26116-060102	BOLT M 6X 10 PLATED	6								10	
35	.	105300-02020	GASKET	1								1	
36	.	105400-02300	BALL BEARING	1								1	
37	.	105400-02310	ROLLER BEARING	1								1	
38	.	22242-000450	CIRCLIP 45	1								10	
39	.	26013-080202	BOLT M 8X 20	6								10	

7. PISTON & CONNECTING ROD

SPEC. CODE  
D05400-22110  
D05300-23100



↑-----↑  
↑ 1809 ↓  
↑ (1802) ↓  
↑-----↑  
NPC-2598

7. PISTON & CONNECTING ROD

91-01-16

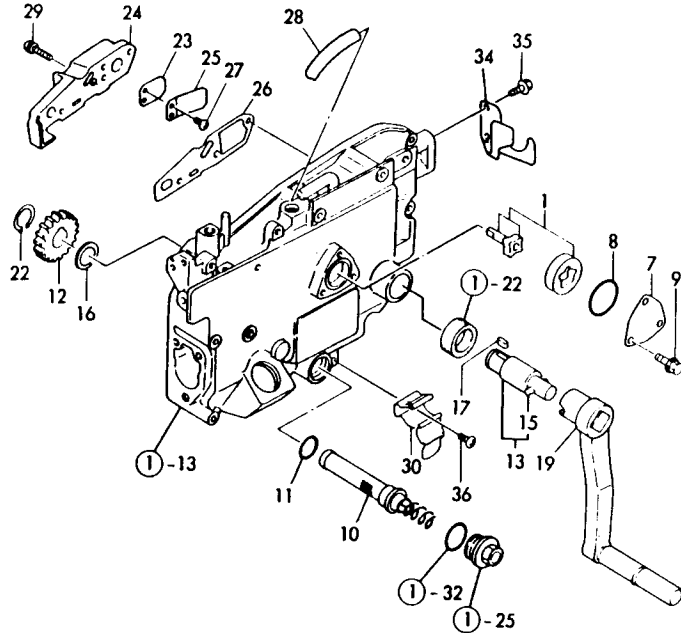
(A)=NFD10-LEMD (D)=  
(B)= (E)=  
(C)= (F)=

REF. NO.	LEV. 0	PART NO.	DESCRIPTION	-----Q'TY-----						I P/U A R
				(A)	(B)	(C)	(D)	(E)	(F)	
1	.	105400-22190	PISTON ASSY	1						1
3	..	704500-22503	RING SET	1						1
8	.	105300-22300	PIN, PISTON	1						1
9	.	105300-22400	CIRCLIP	2						1
10	.	705300-23100	ROD ASSY, CONNECTING	1						1
12	..	105300-23910	BUSH, PISTON PIN	1						1
14	..	105300-23200	BOLT, ROD	2						2
15	..	705300-23600	BEARING, CRANK PIN	1						1
17	..	705300-23610	BEARING, (0.25U.S.)	1						1 (1)
18	..	705300-23620	BEARING, (0.50U.S.)	1						1 (2)
19	.	105400-22471	PISTON W/RING 0.25	1						1 (3)
21	..	105400-22510	RING SET 0.25	1						1 (3)
26	.	105400-22481	PISTON W/RINGS 0.5	1						1 (4)
28	..	105400-22520	RING SET 0.5	1						1 (4)

REMARKS	
(1) 0.25 アンダーサイズワヒンチヤス	(1) 0.25=US UNDER SIZED PART
(2) 0.5 アンダーサイズワヒンチヤス	(2) 0.5 =US UNDER SIZED PART
(3) 0.25 オーバーサイズワヒンチヤス	(3) 0.25=OVER SIZED PART
(4) 0.5 オーバーサイズワヒンチヤス	(4) 0.5 =OVER SIZED PART

8. L.O. SYSTEM & STARTING DEVICE

SPEC. CODE  
 D05300-03101  
 D05302-08211  
 D05300-32100  
 D05300-35102  
 D05302-76100



8. L.O. SYSTEM & STARTING DEVICE

91.01.16

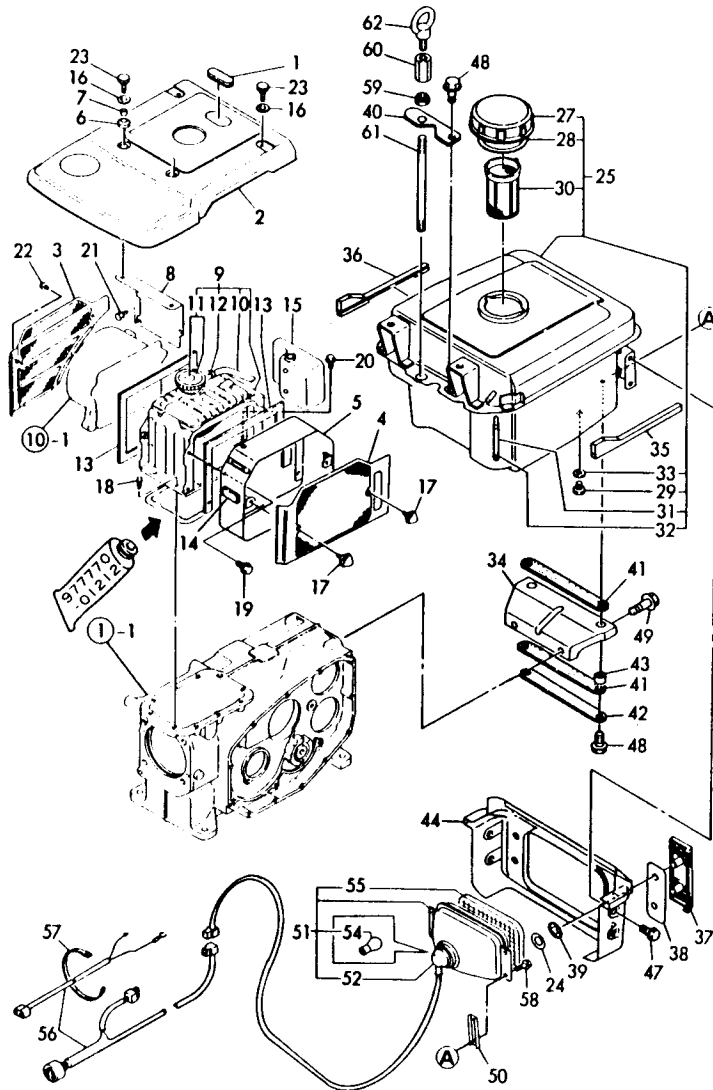
+-----+  
 | 1810 |  
 | (1802) |  
 +-----+  
 NPC-2598

(A)=NFD10-LEMD (D)=  
 (B)= (E)=  
 (C)= (F)=

REF. NO.	LEV. 0	PART NO.	DESCRIPTION	-----Q'TY-----						I P/U A R
				(A)	(B)	(C)	(D)	(E)	(F)	
1	-	705300-32500	ROTOR ASSY, LUB. OIL	1						1
7	-	103338-32070	COVER, LUB OIL PUMP	1						1
8	-	103338-32570	O-RING	1						2
9	-	26106-060122	BOLT M 6X 12 PLATED	3						10
10	-	105300-35052	STRAINER, LUB. OIL	1						1
11	-	24341-000200	O-RING 1A S-20.0	1						10
12	-	105302-76330	GEAR, STARTING	1						1
13	-	705302-76900	SHAFT W/PIN	1						1
15	-	104200-76480	PARALLEL PIN	1						1
16	-	105300-76470	COLLER, STARTING	1						1
17	-	105300-76490	KEY 7X10	1						1
19	-	105302-76790	START HANDLE	1						1
22	-	22242-000200	CIRCLIP 20	1						10
23	-	101158-03061	VALVE, CHECK	1						1
24	-	105300-03082	COVER, BREATHER	1						1
25	-	101158-03111	RETAINER	1						1
26	-	105300-03130	GASKET	1						1
27	-	105362-78960	SCREW	2						1
28	-	23064-090400	PIPE	1						1
29	-	26023-060252	SCREW M 6X 25	3						30
30	-	105300-08510	CLAMP ASSY	1						1
34	-	105302-08101	CLAMP, HANDLE	1						1
35	-	26106-060122	BOLT M 6X 12 PLATED	2						10
36	-	26557-060082	SCREW M 6X 8	1						10

9. RADIATOR & FUEL TANK

SPEC. CODE  
D05300-07200  
D05402-44150  
D05402-55100  
D05402-78160



9. RADIATOR & FUEL TANK

91.01.16

↑-----↑  
↑ 1811 ↓  
↑ (1802) ↓  
↑-----↑  
NPC-2598

(A)=NFD10-LEMD (D)=  
(B)= (E)=  
(C)= (F)=

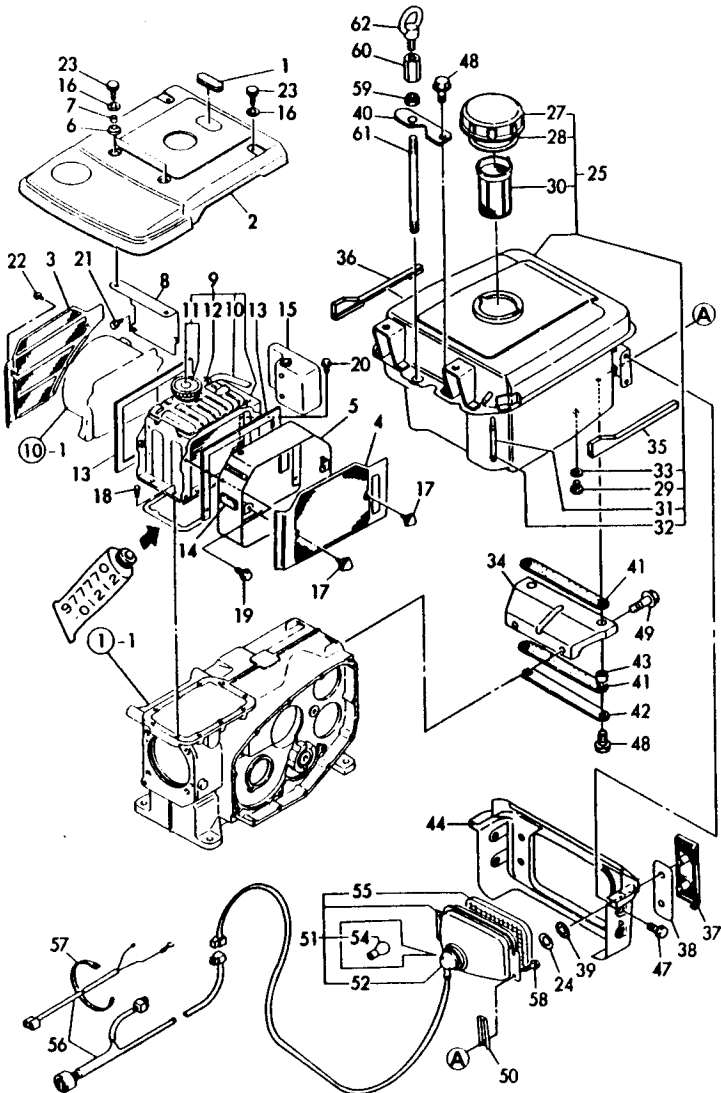
REF. NO.	LEV. 0	PART NO.	DESCRIPTION	Q'TY					I	P	U	A	R
				(A)	(B)	(C)	(D)	(E)					
1	-	105300-44220	BLIND, RADIATOR COVER	1								1	
2	-	105400-44250	COVER, RADIATOR	1								1	
3	-	105300-44330	SCREEN	1								1	
4	-	105402-44340	SCREEN	1								1	
5	-	105402-44360	DUCT	1								1	
6	-	105300-44451	CUSHION, RUBBER	2								1	
7	-	105300-44460	SPACER	2								1	
8	-	105300-44491	STAY	1								1	
9	-	105300-44512	RADIATOR COMPL.	1								1	
10	..	105300-44570	PIPE 7X170	1								1	
11	..	105198-44590	CAP, RADIATOR	1								1	
12	..	121250-44590	CLAMP	1								1	
13	-	104607-44540	PAD	2								1	
14	-	106100-44560	PAD	1								1	
15	-	105300-44630	SUB RESERVOIR	1								1	
16	-	160120-76940	WASHER	4								1	
17	-	160725-78350	KNOB (W/M6X15)	2								1	
18	-	26013-060142	BOLT M 6X 14	8								10	
19	-	26013-060129	BOLT M 6X 12	4								10	
20	-	26013-060162	BOLT M 6X 16	1								10	
21	-	26106-060122	BOLT M 6X 12 PLATED	2								10	
22	-	26106-060122	BOLT M 6X 12 PLATED	1								10	
23	-	26106-060202	BOLT M 6X 20 PLATED	4								10	
24	-	120270-09310	GASKET	4								1	
25	-	705402-55700	TANK ASSY, FUEL	1								1	
27	..	105302-55040	COVER	1								1	
28	..	101504-55051	GASKET	1								2	
29	..	105300-55080	PLUG, DRAIN	1								1	
30	..	105372-55100	STRAINER, FUEL TANK	1								1	
31	..	104300-55160	PIPE, GAUGE	1								1	
32	..	103854-55220	CLAMP	2								1	
33	..	23414-080000	PACKING B. ROUND	1								10	
34	-	105300-55240	BRACKET, FUEL TANK	1								1	
35	-	105402-55250	DECAL	1								1	
36	-	105402-55260	DECAL	1								1	
37	-	105292-55450	PLATE	2								1	
38	-	105292-55460	PLATE	2								1	
39	-	105292-55471	NUT M5	4								1	
40	-	105198-55520	RETAINER	1								1	
41	-	105400-55520	GROMMET	2								1	
42	-	105500-55530	RETAINER	1								1	
43	-	105100-55540	COLLAR, FUEL TANK	2								1	
44	-	105402-55810	COVER, LIGHT	1								1	
47	-	26106-060122	BOLT M 6X 12 PLATED	4								10	
48	-	26106-080222	BOLT M 8X 22 PLATED	3								10	
49	-	26106-100162	BOLT M10X 16 PLATED	2								10	
50	-	105402-55420	SPACER, LAMP MTG.	2								1	
51	-	105377-78020	LAMP ASSY	1								1	
52	..	105372-78040	SOCKET W/WIRE	1								1	
54	..	105372-78250	BULB	1								1	
55	..	105372-78260	LENS, LAMP	1								1	
56	-	105192-78540	WIRE HARNESS	1								1	
57	-	160370-78950	CLAMP	1								1	
58	-	26106-060202	BOLT M 6X 20 PLATED	4								10	

\*\* CONTINUE \*\*

N075302

9. RADIATOR & FUEL TANK

SPEC. CODE  
 D05300-07200  
 D05402-44150  
 D05402-55100  
 D05402-78160



9. RADIATOR & FUEL TANK

91.01.16

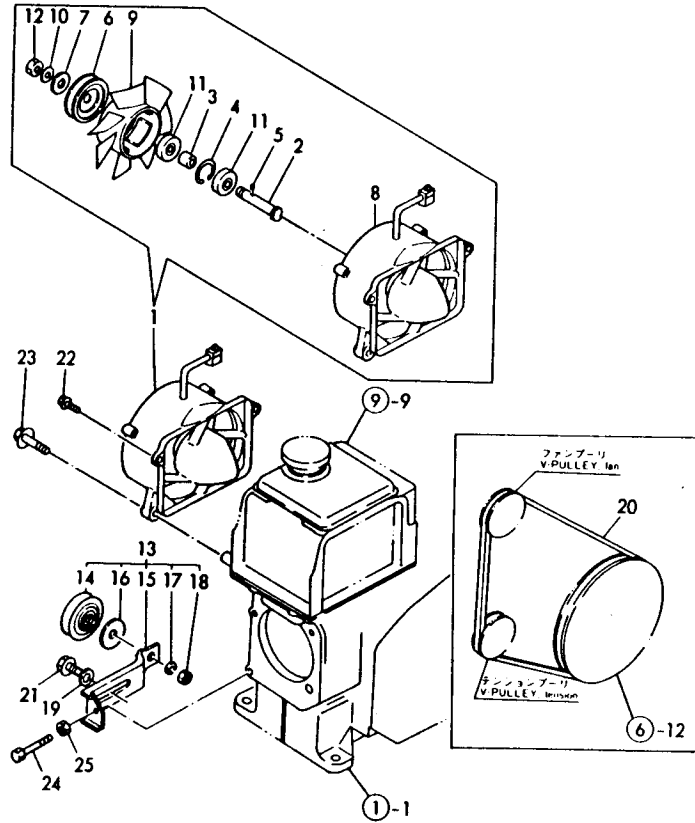
↑-----↑  
 | 1B12 |  
 | (1B02) |  
 ↑-----↑  
 NPC-2598

(A)=NFD10-LEMD (D)=  
 (B)= (E)=  
 (C)= (F)=

REF. NO.	LEV. 0	PART NO.	DESCRIPTION	Q'TY						I	P/U	A	R
				(A)	(B)	(C)	(D)	(E)	(F)				
59	.	104107-07900	NUT (M10)	1									1
60	.	105300-07910	NUT, LIFTER	1									1
61	.	105300-07940	STUD, LIFTER	1									1
62	.	26617-100002	EYE BOLT M10	1									1

10. FAN

SPEC. CODE  
D05302-44250



↑-----↑  
↑ 1813 ↓  
↑ (1802) ↓  
↑-----↑  
NPC-2598

10. FAN

91.01.16

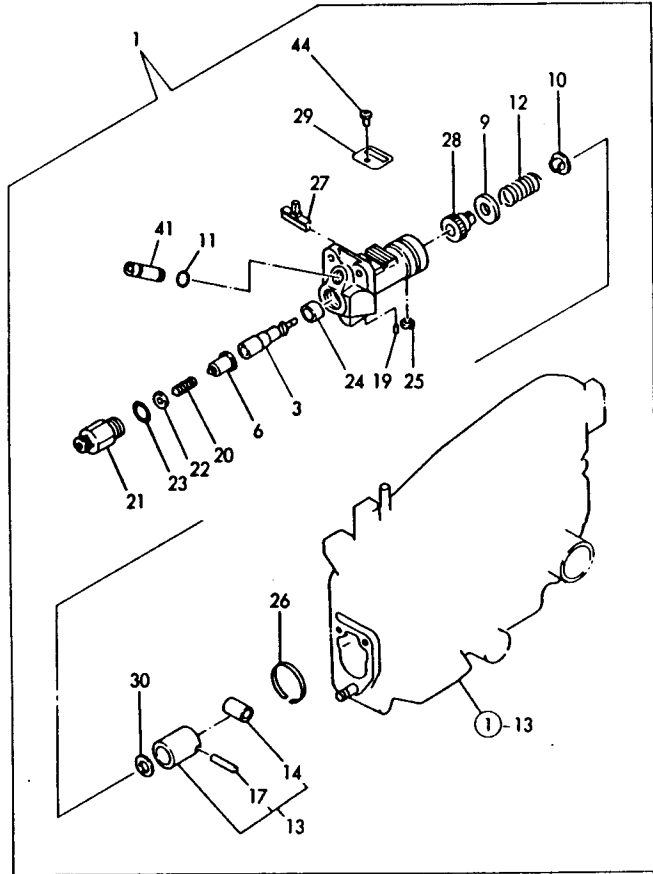
(A)=NF010-LEMD (D)=  
(B)= (E)=  
(C)= (F)=

REF. NO.	LEV. 0	PART NO.	DESCRIPTION	-----Q'TY-----						I	P/U	A	R
				(A)	(B)	(C)	(D)	(E)	(F)				
1	.	105300-44212	FAN CASE	1								1	
2	..	105340-44710	SHAFT, FAN	1								1	
3	..	106383-44720	SPACER	1								1	
4	..	106383-44740	CIRCLIP	1								1	
5	..	105340-44750	PIN	1								1	
6	..	105100-44770	PULLEY, FAN	2								1	
7	..	105100-44780	WASHER	1								1	
8	..	105400-44800	COVER	1								1	
9	..	105300-44850	FAN	1								1	
10	..	22217-120000	WASHER 12, SPRING	1								10	
11	..	24107-062013	BALL BEARING	2								1	
12	..	26777-120002	LOCK NUT M12	1								10	
13	.	105300-44810	PULLEY ASSY, TENSION	1								1	
14	..	106100-44650	PULLEY, TENSION	1								1	
15	..	105300-44940	LEVER	1								1	
16	..	106100-44960	CAP	1								1	
17	..	22217-080000	SPRING WASHER 8	1								10	
18	..	26716-080002	NUT M 8	1								10	
19	.	22137-080000	WASHER 8, POLISHED	1								1	
20	.	25117-003751	V-BELT M1375	1								1	
21	.	26013-080162	BOLT M 8X 16	1								10	
22	.	26106-060252	BOLT M 6X 25 PLATED	2								10	
23	.	26106-080302	BOLT M 8X 30 PLATED	2								10	
24	.	26116-060504	BOLT M 6X 50 PLATED	1								10	
25	.	26756-060002	LOCK NUT M 6 PLATED	1								10	



11. FUEL INJECTION PUMP

SPEC CODE  
D05400-51102



↑-----↑  
| 1814 |  
| (1802) |  
↑-----↑  
NPC-2598

11. FUEL INJECTION PUMP

91.01-16

(A)=NFD10-LEMD (D)=  
(B)= (E)=  
(C)= (F)=

REF. NO.	LEV. 0	PART NO.	DESCRIPTION	-----Q'TY-----						I P/U A R
				(A)	(B)	(C)	(D)	(E)	(F)	
1	.	705400-51103	PUMP ASSY. F.INJECT.	1						1
3	..	105200-51100	PLUNGER W/BARREL	1						1
6	..	129499-51300	VALVE W/SEAT, DELIV.	1						1
9	..	174307-51170	RETAINER A	1						1
10	..	174307-51181	RETAINER B	1						1
11	..	114250-51190	O-RING	1						1
12	..	124950-51190	SPRING, PLUNGER	1						1
13	..	724550-51520	GUIDE ASSY, PLUNGER	1						1
14	...	711100-51540	ROLLER ASSY	1						1
17	...	174100-54120	PIN, ROLLER	1						1
19	...	103854-51251	PIN, PLUNGER	1						1
20	..	124550-51320	SPRING, DELIV. VALVE	1						1
21	..	124550-51341	RETAINER	1						1
22	..	124550-51350	GASKET, DELIVERY	1						5
23	..	124550-51370	O-RING, DELIVERY	1						5
24	..	105300-51400	RETAINER	1						1
25	..	104271-51450	PIECE, GUIDE	1						1
26	..	104271-51460	CIRCLIP	1						1
27	..	105300-51500	RACK	1						1
28	..	105300-51510	PINION	1						1
29	..	105300-51550	RETAINER	1						1
30	..	174307-51700	SHIM SET	1						1
41	..	105300-51800	JOINT	1						1
44	..	26022-050102	SCREW M 5X 10	1						1

12. FUEL OIL SYSTEM

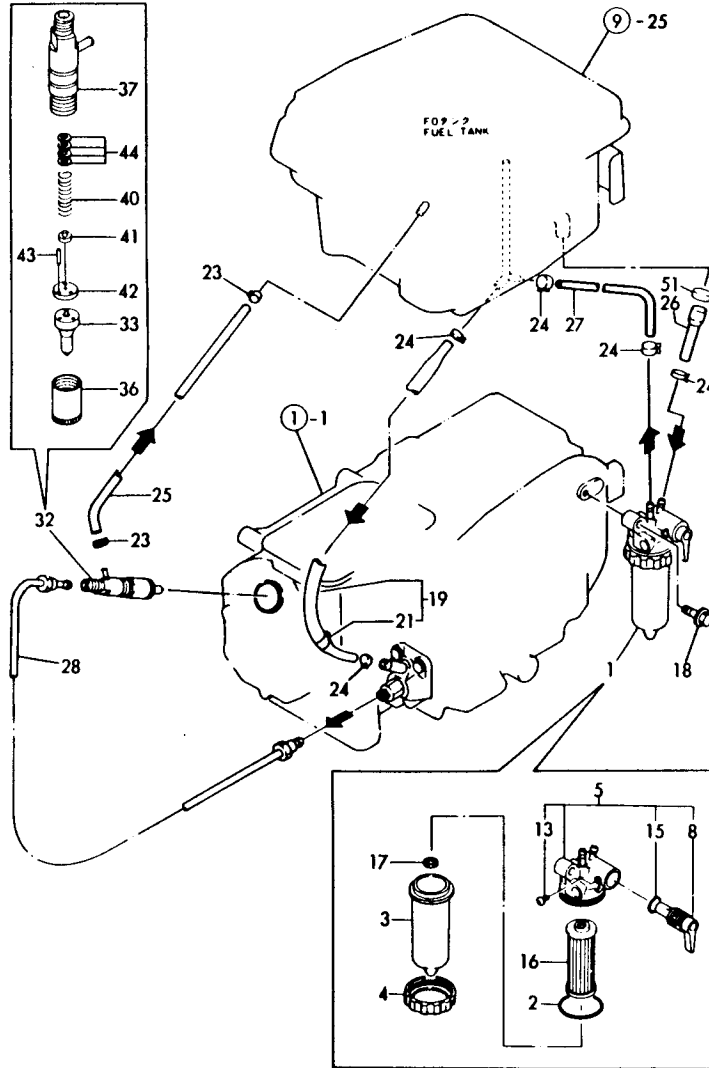
12. FUEL OIL SYSTEM

91-01-16

↑-----↑  
 | 1815 |  
(1802)
 NPC-2598

(A)=NFD10-LEMD (D)=  
 (B)= (E)=  
 (C)= (F)=

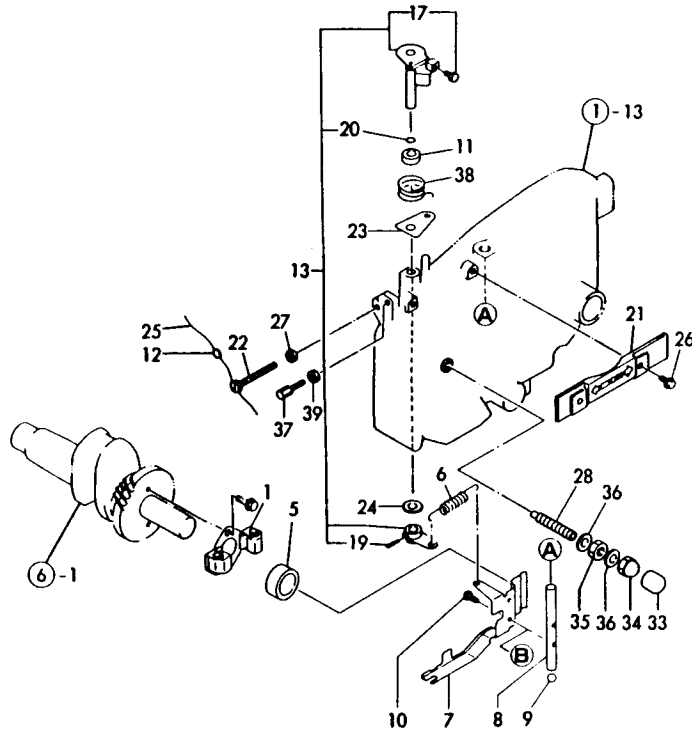
SPEC. CODE  
 D05300-53100  
 D05300-55200  
 D05300-59101



REF. NO.	LEV. 0	PART NO.	DESCRIPTION	-----Q'TY-----						I	P	U	A	R
				(A)	(B)	(C)	(D)	(E)	(F)					
1	.	105370-55650	STRAINER ASSY, FUEL	1										1
2	..	105300-55520	O-RING, BOWL	1										1
3	..	105300-55530	BOWL, STRAINER	1										1
4	..	105300-55610	RING, RETAINER	1										1
5	..	105300-55700	BODY ASSY, STRAINER	1										1
8	...	105300-55340	LEVER	1										1
13	...	104200-55750	SCREW M 4	1										1
15	...	24311-000160	O-RING 1A P-16.0	1										10
16	..	105370-55710	ELEMENT, FO. STRAINER	1										1
17	..	105300-55750	FLOAT, STRAINER	1										1
18	.	26106-080302	BOLT M 8X 30 PLATED	1										10
19	.	105300-59020	PIP W/CLAMP, FUEL	1										1
21	..	124766-59050	CLAMP 12	1										5
23	.	124722-59050	CLAMP 9	2										1
24	.	124766-59050	CLAMP 12	4										5
25	.	105300-59100	PIPE, FUEL RETURN	1										1
26	.	105300-59561	PIPE, FUEL OIL	1										1
27	.	105300-59570	PIPE, FUEL OIL	1										1
28	.	105300-59800	PIPE, FUEL INJECTION	1										1
32	.	729500-53200	VALVE ASSY, F.INJECT	1										1
33	..	129500-53050	NOZZLE ASSY, F.INJECT	1										1
36	..	114250-53080	NUT, NOZZLE CASE	1										1
37	..	105300-53100	HOLDER, W/JOINT	1										1
40	..	114250-53120	SPRING, NOZZLE	1										1
41	..	114250-53130	SPRING, SEAT	1										1
42	..	114250-53140	PLATE, STOP	1										1
43	..	114250-53210	PIN	2										1
44	..	114250-53400	SHIM PACK	1										1
51	.	129301-03660	CLAMP 16	1										1

13. GOVERNOR & CONTROL DEVICE

SPEC. CODE  
 D05300-61100  
 D05300-66101  
 D05302-66201  
 D05090-66310  
 D05302-67101



+-----+  
 | 1816 |  
 | (1802) |  
 +-----+  
 NPC-2598

13. GOVERNOR & CONTROL DEVICE

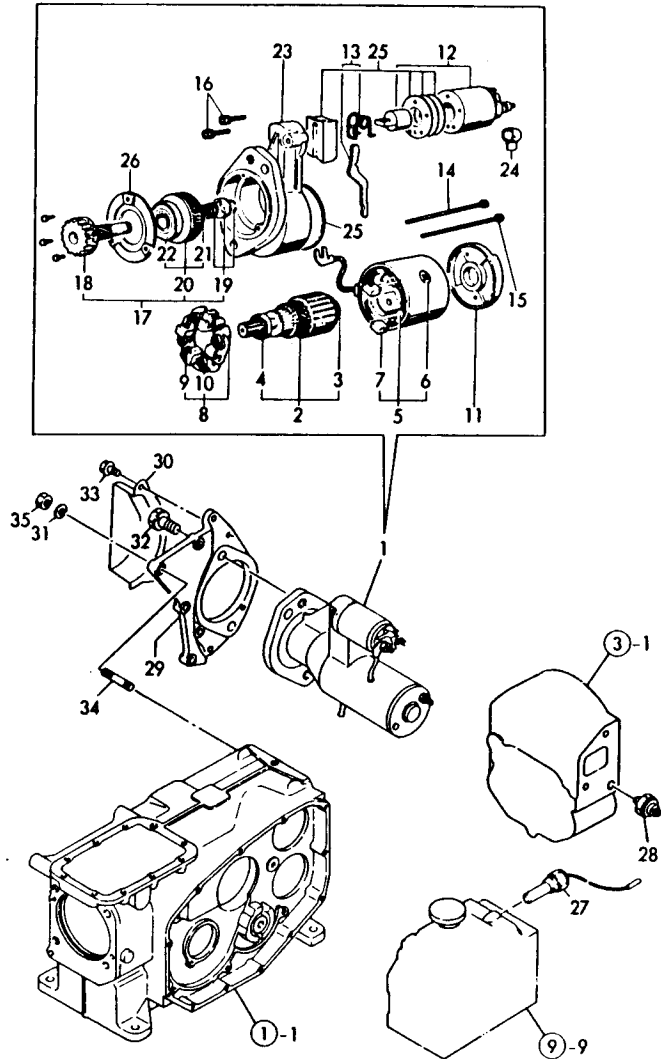
91-01.16

(A)=NFD10-LEMD (D)=  
 (B)= (E)=  
 (C)= (F)=

REF. NO.	LEV. 0	PART NO.	DESCRIPTION	-----Q'ITY-----						I P/U A R
				(A)	(B)	(C)	(D)	(E)	(F)	
1	.	705300-61700	GOVERNOR ASSY.	1						1
5	.	105300-61600	SLEEVE, GOVERNOR	1						1
6	.	105300-66011	SPRING, REGULATOR	1						1
7	.	105300-66300	LEVER, GOVERNOR	1						1
8	.	105300-66400	SHAFT, GOV. LEVER	1						1
9	.	24190-120001	BALL 3/8,STEEL	1						5
10	.	26022-050102	SCREW M 5X 10	2						1
11	.	121575-21850	WASHER	1						1
12	.	135210-61090	LEAD	1						5
13	.	705302-66530	HANDLE ASSY, REGLAT	1						1
17	...	105225-66990	SCREW	1						1
19	..	22322-030200	TAPER PIN 3X20	1						10
20	..	24311-000070	O-RING 1A P-7.0	1						10
21	.	105300-66110	COVER	1						1
22	.	105300-66520	SCREW	1						1
23	.	105300-66850	RETAINER	1						1
24	.	22117-100000	WASHER 10	1						10
25	.	22451-060080	WIRE 0.6X80	1						10
26	.	26106-060122	BOLT M 6X 12 PLATED	2						10
27	.	26756-060002	LOCK NUT M 6 PLATED	1						10
28	.	105090-66551	LIMITTER ASSY. FUEL	1						1
33	.	105300-66610	CAP	1						1
34	.	124060-66950	CAP NUT	1						1
35	.	26796-100002	NUT M10,LOCK	1						10
36	.	43400-500430	SEAL WASHER 10	2						2
37	.	102100-67080	BOLT, ADJUSTING	1						1
38	.	105502-67301	SPRING	1						1
39	.	26756-060002	LOCK NUT M 6 PLATED	1						10

14. STARTING MOTOR

SPEC. CODE  
D05402-77150



↑-----↑  
↑ 1C01 ↑  
↑ (1B02) ↑  
↑-----↑  
NPC-2598

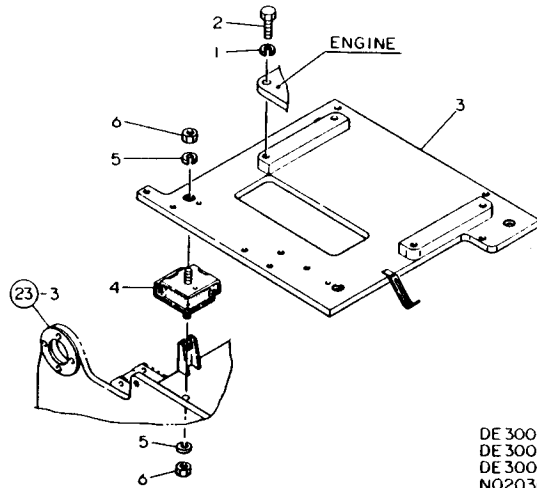
14. STARTING MOTOR

91.01.16

(A)=NFD10-LEMD (D)=  
(B)= (E)=  
(C)= (F)=

REF. NO.	LEV. 0	PART NO.	DESCRIPTION	-----Q'TY-----						I	P	U	A	R
				(A)	(B)	(C)	(D)	(E)	(F)					
1	.	105100-77010	STARTER MOTOR	1										1
2	..	X211461005	ARMATURE	1										1
3	...	X211415502	BALL BEARING	1										1
4	...	X211425502	BALL BEARING	1										1
5	..	X211442003	COIL ASSY, FIELD	1										1
6	...	X21143215	SCREW, CORE	1										1
7	...	X211469002	BRUSH (+)	2										1
8	..	X211479001	HOLDER ASSY, BRUSH	1										1
9	...	X211459002	BRUSH (-)	2										1
10	...	X21148314	SPRING, BRUSH	4										1
11	..	X211483003	COVER, REAR	1										1
12	..	X211447007	SWITCH, MAGNETIC	1										1
13	..	X211446012	LEVER, SHIFT	1										1
14	..	X211468005	BOLT, THROUGH	1										1
15	..	X21148856	THROUGH BOLT	1										1
16	..	X21145866	BOLT	2										1
17	..	X211455011	PINION ASSY	1										1
18	...	X211465011	SHAFT, PINION	1										1
19	...	X211429006	STOPPER SET	1										1
20	...	X211425506	CLUTCH ASSY	1										1
21	....	X211435502	BALL BEARING	1										1
22	....	X211455502	BALL BEARING	1										1
23	..	X211466605	CASE ASSY, GEAR	1										1
24	..	X21142742	COVER (A), RUBBER	1										1
25	..	X211458012	DUST COVER SET	1										1
26	..	X211428008	RETAINER, BEARING	1										1
27	.	124060-39451	SENDER, OIL PRESSURE	1										1
28	.	105300-44900	SENDER	1										1
29	.	105300-77470	BRACKET	1										1
30	.	105372-77480	COVER, PINION	1										1
31	.	22217-060000	WASHER 6, SPRING	4										10
32	.	26013-120302	BOLT M12X 30	2										10
33	.	26106-060102	BOLT M 6X 10 PLATED	2										10
34	.	26216-060202	STUD M 6X 20 PLATED	4										10
35	.	26716-060002	NUT M6	4										10

### 1. ENGINE MOUNTING



DE 3002-00100  
DE 3002-00110  
DE 3001-01000  
N020307

91.01.16

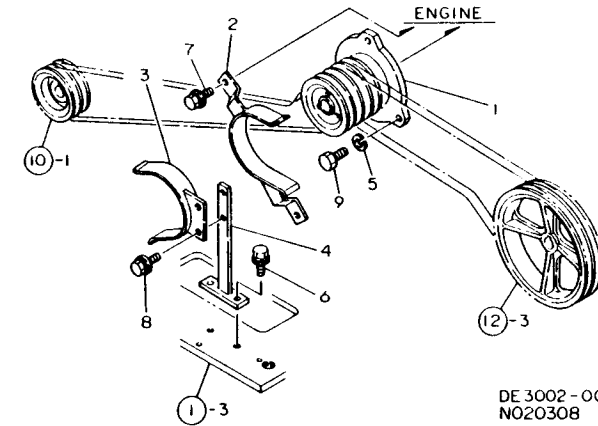
-----+  
| 1003 |  
| (1002) |  
-----+  
MPC-2601

(A)=YMD60-EC (D)=  
(B)=YMD60-N (E)=  
(C)= (F)=

REF. NO.	LEV. 0	PART NO.	DESCRIPTION	-----Q'TY-----						I	P	U	A	R
				(A)	(B)	(C)	(D)	(E)	(F)					
1	.	22217-120000	WASHER 12, SPRING	4	4									10
2	.	26116-120322	BOLT M12X 32 PLATED	4	4									10
3	.	1E3001-01050	BED COMP., ENGINE	1	1									10
4	.	1E6470-01350	RUBBER 34X76.2, S.A.	4	4									1
5	.	22217-120000	WASHER 12, SPRING	8	8									10
6	.	26717-120002	NUT M12	8	8									10

N020307

### 2. PULLEY



DE 3002-00400  
N020308

91.01.16

-----+  
| 1004 |  
| (1002) |  
-----+  
MPC-2601

(A)=YMD60-EC (D)=  
(B)=YMD60-N (E)=  
(C)= (F)=

REF. NO.	LEV. 0	PART NO.	DESCRIPTION	-----Q'TY-----						I	P	U	A	R
				(A)	(B)	(C)	(D)	(E)	(F)					
1	.	1E3001-01020	PULLEY 100-B4	1	1									1
2	.	1E3002-01100	RETAINER 1, BELT	1	1									1
3	.	1E3002-01150	RETAINER 2, BELT	1	1									1
4	.	1E3001-01190	SEAT, BELT RETAINER	1	1									1
5	.	22217-120000	WASHER 12, SPRING	3	3									10
6	.	26018-080204	BOLT M 8X 20	2	2									20
7	.	26018-080164	BOLT M 8X 16	2	2									20
8	.	26018-080164	BOLT M 8X 16	2	2									20
9	.	26116-120352	BOLT M12X 35 PLATED	3	3									10

N020308

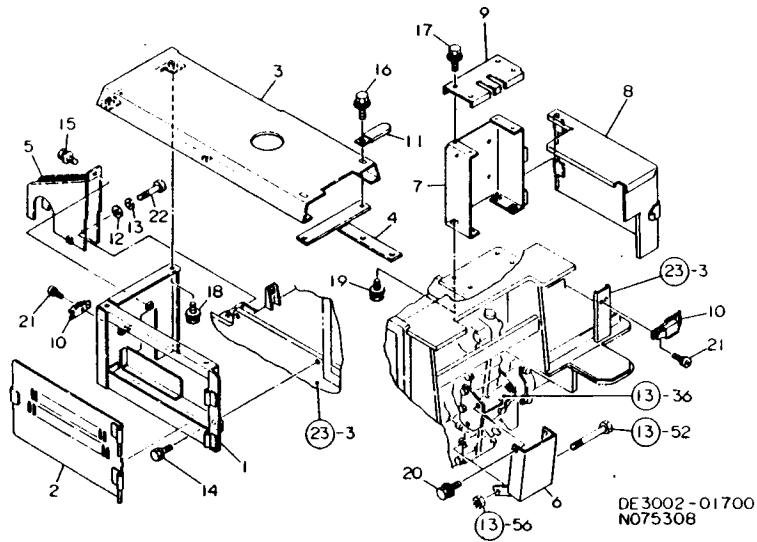
3. COVER

-----+  
 I 1006 I  
 I (1005) I  
 -----+  
 NPC-2601

3. COVER

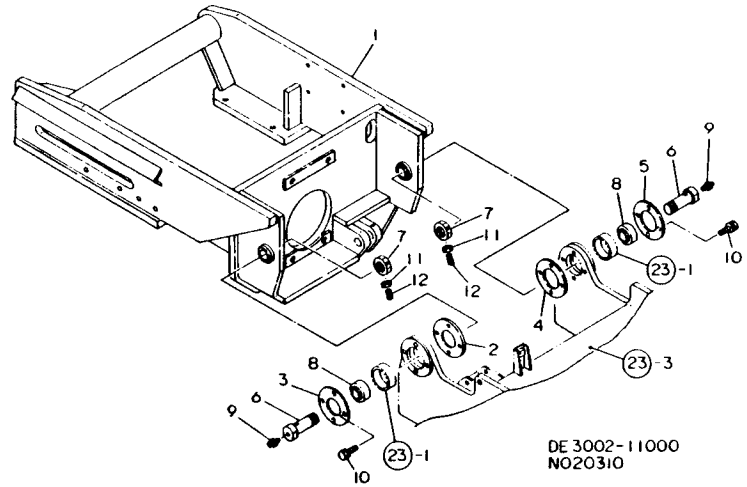
91.01.16

(A)=YMD60-EC (D)=  
 (B)=YMD60-M (E)=  
 (C)= (F)=



REF. NO.	LEV. 0	PART NO.	DESCRIPTION	-----Q'TY-----						I	P/U	A	R
				(A)	(B)	(C)	(D)	(E)	(F)				
1	.	1E3002-01300	COVER L	1	1								
2	.	1E3002-01450	LID, COVER L	1	1								
3	.	1E3002-01500-1	BONNET COMPL.	1	1								
4	.	1E3001-01601	SEAT, BONNET	1	1								
5	.	1E3002-01600	COVER, P.T.O.	1	1								
6	.	1E3002-01650	COVER, TRANSMISSION	1	1								
7	.	1E3002-01700-1	COVER R, FRONT	1	1								
8	.	1E3002-01750-1	COVER R	1	1								
9	.	1E3002-01830-1	COVER, VALVE	1	1								
10	.	1E6210-82580	FASTENER	2	2							1	
11	.	1E6020-83890	CLIP	1	1							1	
12	.	22137-080000	WASHER 8, POLISHED	1	1							10	
13	.	22217-080000	SPRING WASHER 8	1	1							10	
14	.	26016-080164	BOLT M 8X 16	3	3							30	
15	.	26018-060164	BOLT M 6X 16	1	1							20	
16	.	26018-060164	BOLT M 6X 16	2	2							20	
17	.	26018-060164	BOLT M 6X 16	4	4							20	
18	.	26018-080164	BOLT M 8X 16	3	3							20	
19	.	26018-080204	BOLT M 8X 20	4	4							20	
20	.	26018-080204	BOLT M 8X 20	2	2							20	
21	.	26022-050122	SCREW M 5X 12	4	4							10	
22	.	26117-080702	BOLT M 8X 70 PLATED	1	1							10	

4. VIBRATOR FRAME



-----+  
 | 1008 |  
 | (1007) |  
 +-----+  
 NPC-2601

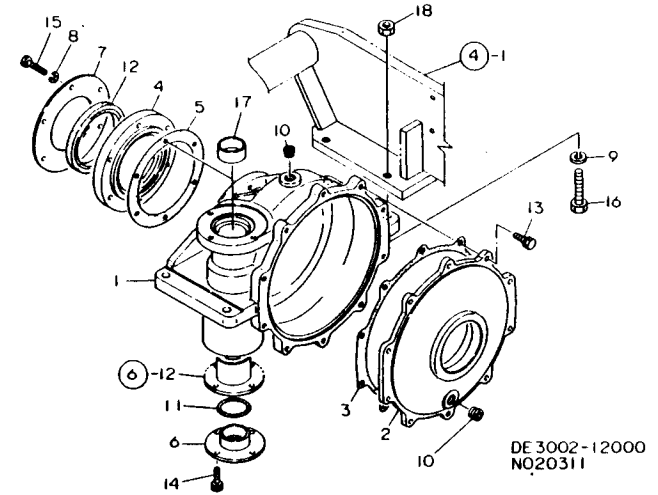
91.01.16

(A)=YMD60-EC (D)=  
 (B)=YMD60-M (E)=  
 (C)= (F)=

REF. NO.	LEV. 0	PART NO.	DESCRIPTION	-----Q'TY-----						I	P	U	A	R
				(A)	(B)	(C)	(D)	(E)	(F)					
1	.	1E3002-11010	FRAME,VIBRATOR	1	1									
2	.	1E3000-11250	PLATE A, LINK	1	1							1		
3	.	1E3000-11260	PLATE B, LINK	1	1							1		
4	.	1E3000-11290	PLATE C, LINK	1	1							1		
5	.	1E3000-11300	PLATE D, LINK	1	1							1		
6	.	1E3002-11450	PIN 25, HINGE	2	2									
7	.	1E3001-11470	NUT 25XP1.5	2	2							1		
8	.	1E3000-11900	SHAFT SUPPORT	2	2							1		
9	.	24761-010000	NIPPLE M6F, GREASE	2	2							5		
10	.	26013-080302	BOLT M 8X 30	8	8							10		
11	.	26717-060002	NUT M 6	4	4							10		
12	.	26979-060162	SCREW M 6X16	4	4							10		

NO20310

5. REDUCTION GEAR CASE



-----+  
 | 1010 |  
 | (1009) |  
 +-----+  
 NPC-2601

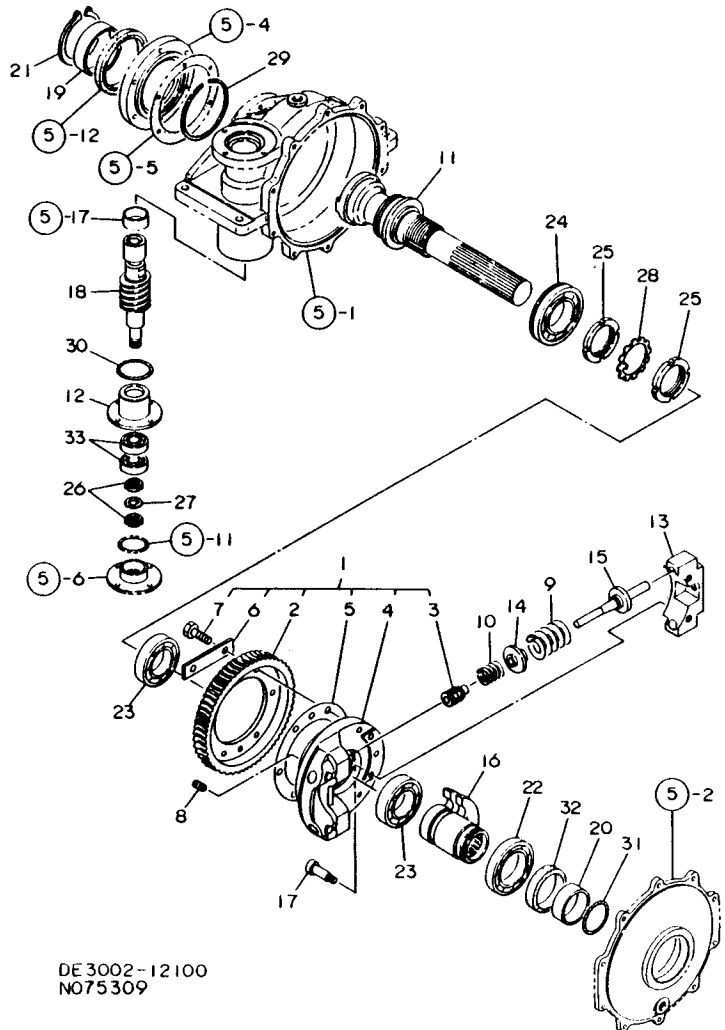
91.01.16

(A)=YMD60-EC (D)=  
 (B)=YMD60-M (E)=  
 (C)= (F)=

REF. NO.	LEV. 0	PART NO.	DESCRIPTION	-----Q'TY-----						I	P	U	A	R
				(A)	(B)	(C)	(D)	(E)	(F)					
1	.	1E3001-12010	CASE, REDUCTION	1	1									
2	.	1E3002-12020	COVER, REDUCTION CASE	1	1								1	
3	.	1E3002-12030	CASE PACKING A	1	1									
4	.	1E3002-12050	COVER, REDUCT. CS. FRNT	1	1									
5	.	1E3002-12060	CASE PACKING B	1	1									
6	.	1E3001-12080	SHIFTER, REDUCT. CASE	1	1								1	
7	.	1E3001-12100	PLATE, SEAL KEEP	1	1								1	
8	.	22217-080000	SPRING WASHER 8	6	6								10	
9	.	22217-120000	WASHER 12, SPRING	4	4								10	
10	.	23871-030000	PLUG PT3/8, SCREW	2	2								1	
11	.	24321-000450	O-RING 1A G-45.0	1	1								10	
12	.	24421-952013	SEAL	1	1								1	
13	.	26013-080302	BOLT M 8X 30	10	10								10	
14	.	26013-080302	BOLT M 8X 30	4	4								10	
15	.	26116-080452	BOLT M 8X 45 PLATED	6	6								10	
16	.	26116-120554	BOLT, M12X55	4	4								10	
17	.	24550-040200	BUSH 40X20, DRY	1	1								1	
18	.	26716-120002	NUT M12	4	4								10	

NO20311

6. REDUCTION TRANSMISSION



DE 3002-12100  
N075309

6. REDUCTION TRANSMISSION

91.01.16

↑-----↑  
1 1011 1  
1 (1009)  
↑-----↑  
NPC-2601

(A)=YMD60-EC (D)=  
(B)=YMD60-M (E)=  
(C)= (F)=

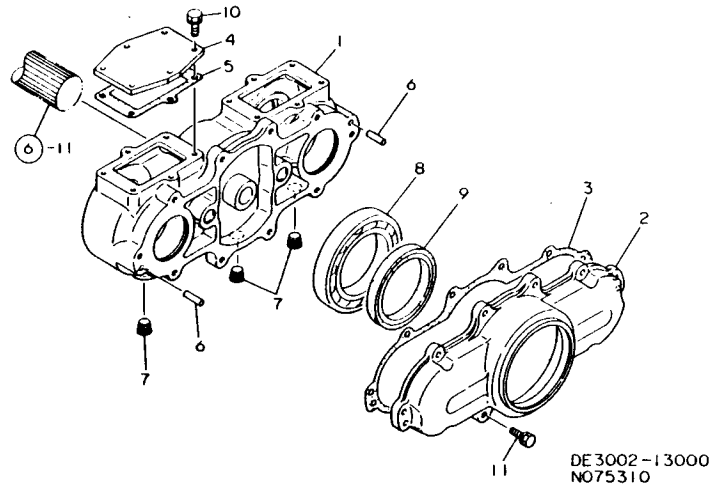
REF. NO.	LEV. 0	PART NO.	DESCRIPTION	-----Q'ITY-----						I	P	U	A	R
				(A)	(B)	(C)	(D)	(E)	(F)					
1	.	1E3002-12000	WHEEL COMP., WORM	1	1									
2	..	1E3001-12232	WHEEL, WORM	1	1								1	
3	..	1E3002-12270	BUSH B, GUIDE	2	2									
4	..	1E3002-12280	BRACKET, WORM WHEEL	1	1									
5	..	1E3001-12860	SHIM 190X139X0.2	1	1									
6	..	1E3001-12880	PLATE, LOCKING	3	3									
7	..	26116-100302	BOLT M10X 30 PLATED	6	6								10	
8	..	26979-080142	LOCK SCREW M 8X14	2	2								10	
9	.	1E3000-12120	COIL SPRING A	2	2								1	
10	.	1E3002-12130	SPRING B, COILED	2	2									
11	.	1E3002-12200	SHAFT, BLADE	1	1									
12	.	1E3001-12220	BEARING, WORM	1	1								1	
13	.	1E3002-12240	BRACKET	1	1									
14	.	1E3002-12260	BUSH A, GUIDE	2	2									
15	.	1E3002-12311	GUIDE PIN	2	2									
16	.	1E3002-12320	ARM, VALVE ROCKER	1	1									
17	.	1E3002-12370	BOLT M10X30, SHOULDER	2	2									
18	.	1E3001-12400	WORM COMPL.	1	1									
19	.	1E3002-12920	SLEEVE 909519, SI	1	1									
20	.	1E3002-12930	SLEEVE 707520, SI	1	1									
21	.	22242-000900	CIRCLIP 90	1	1								5	
22	.	24101-060144	BALL BEARING	1	1								1	
23	.	24101-062104	BALL BEARING	2	2								1	
24	.	24111-062124	BEARING 6212N	1	1								1	
25	.	24211-060002	LOCK NUT M60	2	2								1	
26	.	24217-020002	NUT	2	2								1	
27	.	24231-020000	WASHER 20	1	1								1	
28	.	24231-060000	WASHER 60	1	1								1	
29	.	24242-001100	RING, BRG. NR110 SNAP	1	1								1	
30	.	24321-000550	O-RING 1A G-55.0	1	1								10	
31	.	24321-000600	O-RING 1A G-60.0	1	1								10	
32	.	24421-750013	SEAL TC 750013, OIL	1	1								1	
33	.	24510-720414	BALL BEARING	2	2								1	(1)

----- REMARKS -----  
 (1) PLEASE PUT THE FACE OF PUNCH MARK OF MACHINE SERIAL NUMBER OF EACH BEARING TOGETHER WHEN ASSEMBLING.

N075309



7. VIBRATOR CASE



↑-----↑  
 | 1D12 |  
 | (1D09) |  
 ↑-----↑  
 NPC-2601

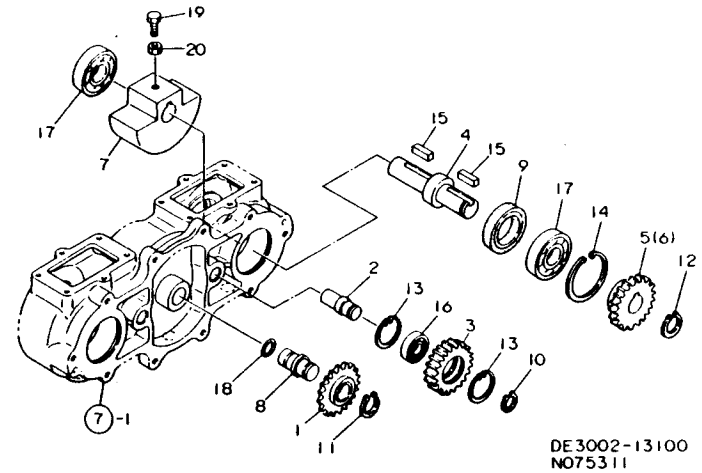
91.01.16

(A)=YMD60-EC (D)=  
 (B)=YMD60-N (E)=  
 (C)= (F)=

REF. NO.	LEV. 0	PART NO.	DESCRIPTION	-----Q'TY-----						I	P	U	A	R
				(A)	(B)	(C)	(D)	(E)	(F)					
1	.	1E3002-13010	CASE COMP., VIBRATOR	1	1									
2	.	1E3002-13050	COVER, VIBRATOR CASE	1	1									
3	.	1E3002-13060	PACKING, VIBRATOR	1	1									
4	.	1E3002-13110	COVER, CASE B	2	2									
5	.	1E3002-13120	PACKING, CASE B	2	2									
6	.	1A1040-26060	PIN 8X28, STRAIGHT	2	2							2		
7	.	23871-030000	PLUG PT3/8, SCREW	3	3								1	
8	.	24101-060174	BALL BEARING	1	1								1	
9	.	24423-851013	SEAL TC851013, OIL	1	1								1	
10	.	26013-060122	BOLT M 6X 12	12	12								10	
11	.	26013-080252	BOLT M 8X 25	10	10								10	

NO75310

8. VIBRATOR



↑-----↑  
 | 1D13 |  
 | (1D09) |  
 ↑-----↑  
 NPC-2601

91.01.16

(A)=YMD60-EC (D)=  
 (B)=YMD60-N (E)=  
 (C)= (F)=

REF. NO.	LEV. 0	PART NO.	DESCRIPTION	-----Q'TY-----						I	P	U	A	R
				(A)	(B)	(C)	(D)	(E)	(F)					
1	.	1E3001-13151	GEAR 21A	1	1									
2	.	1E3002-13170	SHAFT, COUNTER	2	2									
3	.	1E3002-13190	GEAR 21B	2	2									
4	.	1E3001-13200	SHAFT, VIBRATOR	2	2									1
5	.	1E3001-13210	GEAR 21C	1	1									1
6	.	1E3001-13220	GEAR 21D	1	1									1
7	.	1E3002-13240	ELEMENT, ECCENTRIC	2	2									
8	.	1E3002-13260	SHAFT, CENTER	1	1									
9	.	104100-32570	SEAL SC406211, OIL	2	2									
10	.	22242-000170	CIRCLIP 17	2	2									10
11	.	22242-000250	CIRCLIP 25S	1	1									10
12	.	22242-000250	CIRCLIP 25S	2	2									10
13	.	22252-000400	CIRCLIP 40	4	4									10
14	.	22252-000621	CIRCLIP 62	2	2									10
15	.	22551-070250	KEY 7X25	4	4									1
16	.	24101-062034	BALL BEARING	2	2									1
17	.	24101-063054	BEARING #6305	4	4									1
18	.	24311-000210	O-RING 1A P-21.0	1	1									10
19	.	26116-080202	BOLT M 8X 20 PLATED	2	2									10
20	.	26797-080002	LOCK NUT M 8	2	2									10

NO75311

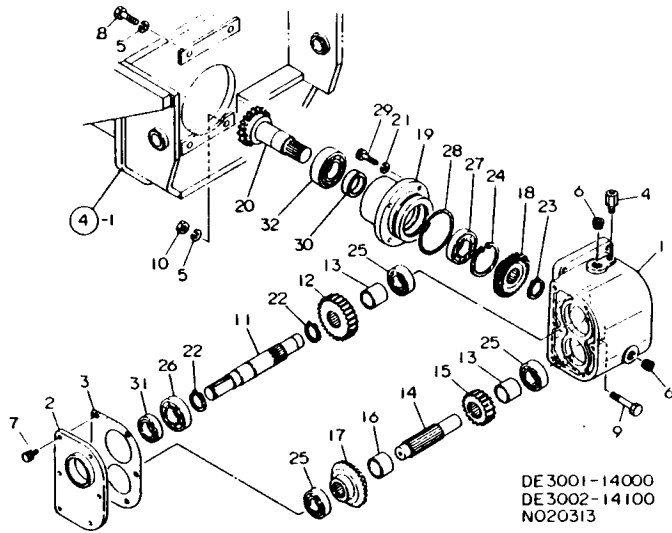
9. OVERDRIVE GEAR CASE

91.01.16

↑-----↑  
 | 1D14 |  
 | (1D09) |  
 ↑-----↑  
 NPC-2601

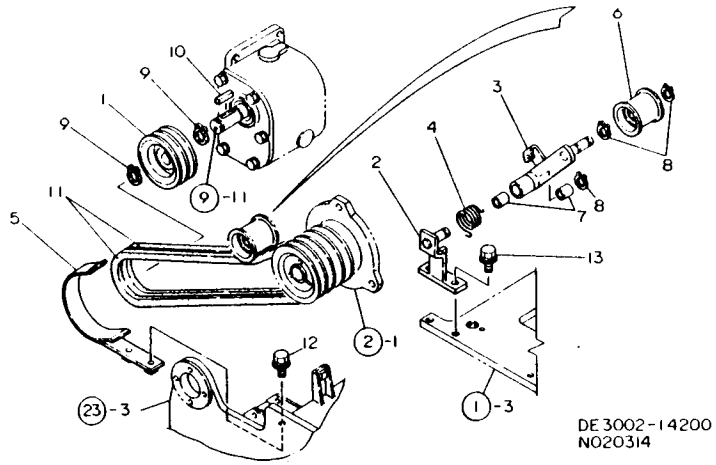
9. OVERDRIVE GEAR CASE

(A)=YMD60-EC (D)=  
 (B)=YMD60-N (E)=  
 (C)= (F)=



REF. NO.	LEV. 0	PART NO.	DESCRIPTION	-----Q'TY-----						I P/U A R
				(A)	(B)	(C)	(D)	(E)	(F)	
1	-	1E3001-14010	CASE, SPEED-UP	1	1					1
2	-	1E3001-14020	COVER, SPEED-UP CASE	1	1					1
3	-	1E3001-14030	CASE PACKING	1	1					1
4	-	1A1650-21080	BREATHER 1/8	1	1					1
5	-	22217-100000	WASHER 10, SPRING	4	4					10
6	-	23871-030000	PLUG PT3/8, SCREW	2	2					1
7	-	26013-080202	BOLT M 8X 20	6	6					10
8	-	26116-100402	BOLT M10X 40 PLATED	3	3					10
9	-	26116-100502	BOLT M10X 50 PLATED	1	1					10
10	-	26717-100002	NUT M10	1	1					10
11	-	1E3001-14100	SHAFT, P.T.O.1ST	1	1					1
12	-	1E3001-14110	GEAR 30	1	1					1
13	-	1E3001-14120	COLLAR 27.6X34X30	2	2					1
14	-	1E3001-14140	SHAFT, P.T.O.2ND	1	1					1
15	-	1E3001-14150	GEAR 22	1	1					1
16	-	1E3001-14160	COLLAR 31.1X38.1X26	1	1					1
17	-	1E3001-14170	BEVEL 33L, SPIRAL	1	1					1
18	-	1E3001-14180	BEVEL 33R, SPIRAL	1	1					1
19	-	1E3002-14200	BRACKET, BEARING	1	1					
20	-	1E3002-14210	GEAR 21	1	1					
21	-	22217-080000	SPRING WASHER 8	4	4					10
22	-	22242-000300	CIRCLIP 30	2	2					10
23	-	22242-000300	CIRCLIP 30	1	1					10
24	-	22252-000621	CIRCLIP 62	1	1					10
25	-	24101-062054	BEARING #6205	3	3					1
26	-	24101-062064	BALL BEARING	1	1					1
27	-	24101-062064	BALL BEARING	1	1					1
28	-	24321-000800	O-RING 1A G-80.0	1	1					10
29	-	26450-080302	BOLT M 8X 30	4	4					10
30	-	1E3002-14800	SEAL TC355511, OIL	1	1					
31	-	1E3001-14900	OIL SEAL TC305011	1	1					1
32	-	24101-062074	BALL BEARING	1	1					1

10. P.T.O. DRIVE



↑-----↑  
↑ 1D15 ↑  
↑ (1009) ↑  
↑-----↑  
NPC-2601

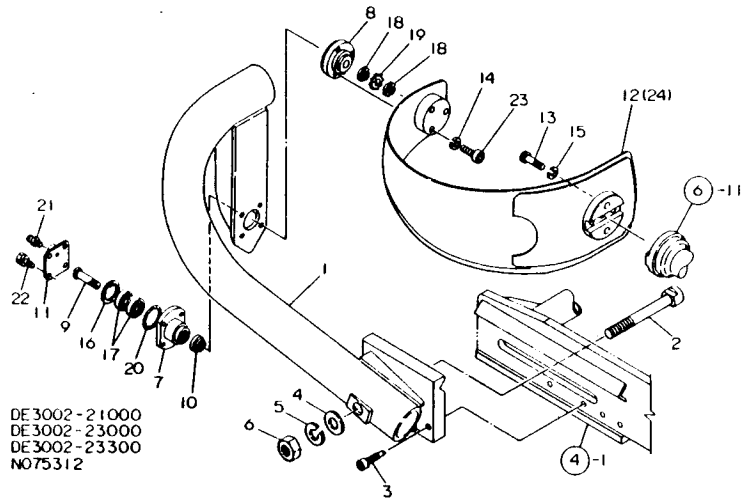
10. P.T.O. DRIVE

91.01.16

(A)=YMD60-EC (D)=  
(B)=YMD60-N (E)=  
(C)= (F)=

REF. NO.	LEV. 0	PART NO.	DESCRIPTION	-----Q'TY-----						I P/U A R
				(A)	(B)	(C)	(D)	(E)	(F)	
1	.	1E1030-11070	PULLEY 100B	1	1					1
2	.	1E3002-15050	SEAT 1,TENSION	1	1					
3	.	1E3002-15100	ARM 1,TENSION	1	1					
4	.	1E3001-15150	SPRING R	1	1					1
5	.	1E3002-15200	GUARD,P.T.O.BELT	1	1					
6	.	7E6150-51500	ROLLER, TENSION	1	1					1
7	.	24550-015100	BUSH 15X10	2	2					1
8	.	22242-000150	CIRCLIP 15	3	3					10
9	.	22242-000250	CIRCLIP 25S	2	2					10
10	.	22551-070350	KEY 7X35	1	1					1
11	.	25123-004600	V-BELT	2	2					1
12	.	26018-080164	BOLT M 8X 16	2	2					20
13	.	26018-080204	BOLT M 8X 20	2	2					20

11. BLADE



-----+  
 | 1E01 |  
 | (1D16) |  
 -----+  
 NPC-2601

11. BLADE

91.01.16

(A)=YMD60-EC (D)=  
 (B)=YMD60-N (E)=  
 (C)= (F)=

REF. NO.	LEV. 0	PART NO.	DESCRIPTION	-----Q'TY-----						I P/U A R
				(A)	(B)	(C)	(D)	(E)	(F)	
1	.	1E3002-21000	FRAME, BLADE	1	1					
2	.	1E3002-21280	BOLT, CLAMPING	1	1					
3	.	1E3002-21300	BOLT M12X50, GUIDE	1	1					
4	.	22137-240000	WASHER 24, POLISHED	1	1					10
5	.	22217-240000	SPRING WASHER 24	1	1					10
6	.	26737-240002	NUT M24	1	1					10
7	.	1E3002-23130	HOLDER, BEARING	1	1					
8	.	1E3002-23151	FRANGE, BLADE	1	1					
9	.	1E3002-23160	PIN 17, HINGE	1	1					
10	.	1E3002-23180	SCRAPER 2531, SER.	1	1					
11	.	1E3002-23200	COVER, HOLDER	1	1					
12	.	1E3002-23300	BLADE 500	1	1					
13	.	1E3000-23900	BOLT 12X45, HEX. SH.	4	4					1
14	.	22217-080000	SPRING WASHER 8	3	3					10
15	.	22217-120000	WASHER 12, SPRING	4	4					10
16	.	22252-000400	CIRCLIP 40	1	1					10
17	.	24101-062030	BALL BEARING	2	2					1
18	.	24211-017002	LOCK NUT M17	2	2					1
19	.	24231-017000	WASHER 17	1	1					5
20	.	24321-000500	O-RING 1A 6-50.0	1	1					10
21	.	24761-060000	NIPPLE MT6X1, GREASE	1	1					5
22	.	26013-080252	BOLT M 8X 25	4	4					10
23	.	26450-080302	BOLT M 8X 30	3	3					10
24	.	1E3002-23050	BLADE 600	1	1					

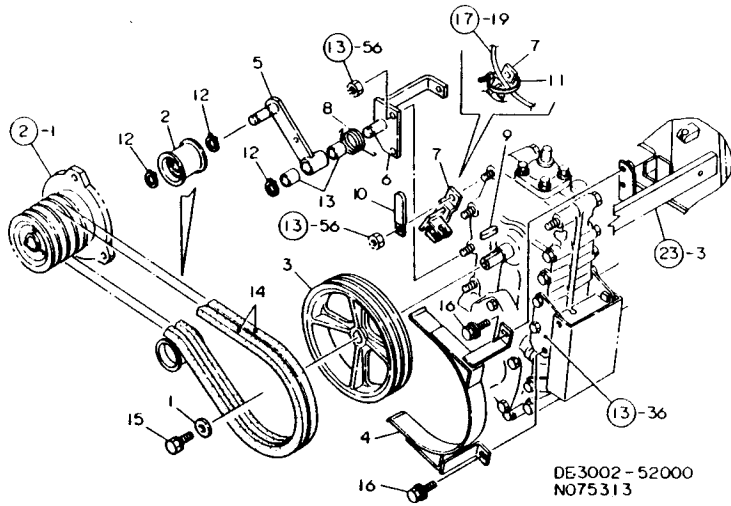
12. TRAVEL CLUTCH

↑-----↑  
 | 1E03 |  
 | (1E02) |  
 ↑-----↑  
 NPC-2601

12. TRAVEL CLUTCH

91.01.16

(A)=YMD60-EC (D)=  
 (B)=YMD60-N (E)=  
 (C)= (F)=



REF. NO.	LEV. 0	PART NO.	DESCRIPTION	Q'TY-----						I	P	U	A	R
				(A)	(B)	(C)	(D)	(E)	(F)					
1	.	1E6020-25340	SPACER 9X28X4.5	1	1									1
2	.	7E6150-51500	ROLLER, TENSION	1	1									1
3	.	1E3001-52000	PULLEY 211-B2	1	1									1
4	.	1E3002-52010	RETAINER, TRANSM. BELT	1	1									
5	.	1E3001-52050	ARM 2, TENSION	1	1									1
6	.	1E3002-52100	SEAT, TRAVEL TENSION	1	1									
7	.	1E3001-52120	BRACKET, WIRE	1	1									1
8	.	1E3001-52170	SPRING L	1	1									1
9	.	1E4070-79020	KEY 5X5X30	1	1									2
10	.	1E6020-83890	CLIP	1	1									1
11	.	1E6150-83910	BAND 195	1	1									1
12	.	22242-000150	CIRCLIP 15	3	3									10
13	.	24550-015100	BUSH 15X10	2	2									1
14	.	25123-005801	V-BELT	2	2									1
15	.	26013-080202	BOLT M 8X 20	1	1									10
16	.	26018-080204	BOLT M 8X 20	2	2									20

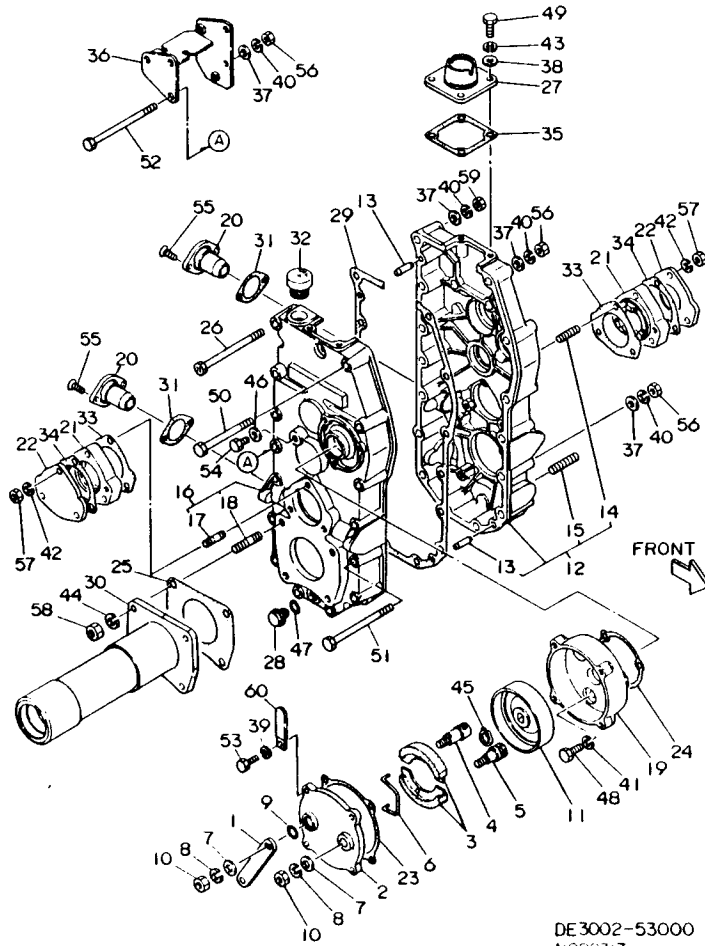
13. TRANSMISSION CASE

1 ED4  
1 ED2  
MPC-2601

13. TRANSMISSION CASE

91.01.16

(A)=YMD60-EC (D)=  
(B)=YMD60-N (E)=  
(C)= (F)=

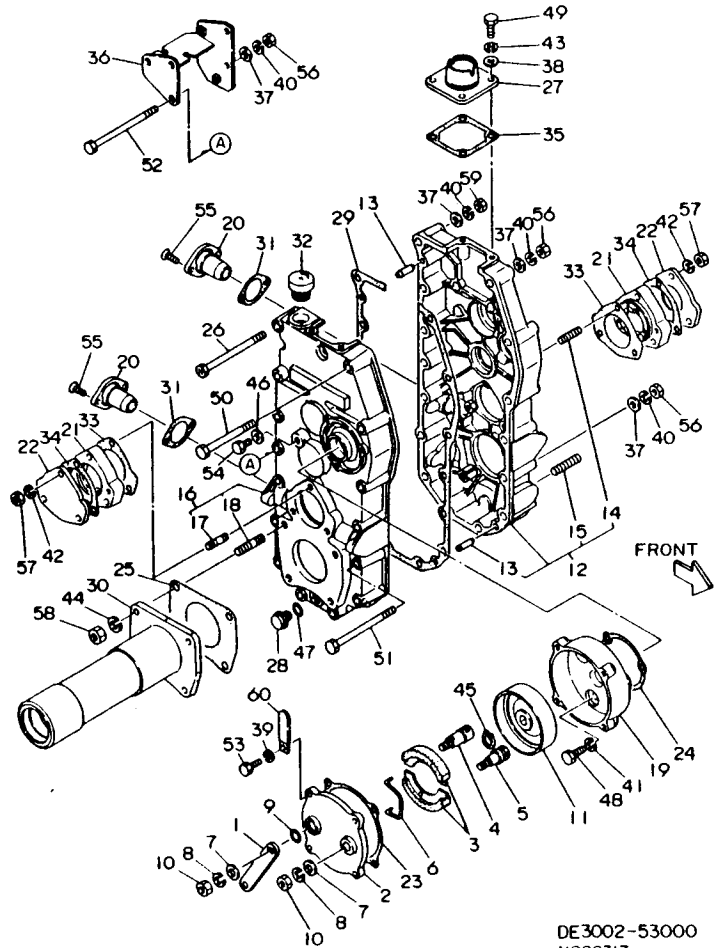


REF. NO.	LEV. 0	PART NO.	DESCRIPTION	QTY					
				(A)	(B)	(C)	(D)	(E)	(F)
1	.	1N1070-24811	ARM, BRAKE	1	1				1
2	.	1E6140-52210	COVER, P BRAKE	1	1				1
3	.	1E6140-52240	BRAKE SHOE, PARKING	2	2				1
4	.	1E6140-52260	CAM SHAFT, PARK. BRAKE	1	1				1
5	.	1E6140-52270	ANCHOR PIN, P. BRAKE	1	1				1
6	.	1E6140-52280	RETURN SPRING, B. SHOE	1	1				1
7	.	22137-100000	WASHER 10, POLISHED	2	2				10
8	.	22217-100000	WASHER 10, SPRING	2	2				10
9	.	24311-000140	O-RING 1A P-14.0	1	1				10
10	.	26717-100002	NUT M10	2	2				10
11	.	1N1070-24750	BRAKE DRUM	1	1				1
12	.	1E3001-53200	CASE R, TRANSMISSION	1	1				
13	..	1A1040-26060	PIN 8X28, STRAIGHT	2	2				2
14	..	26216-080352	STUD M 8X 35 PLATED	3	3				10
15	..	26226-100302	STUD M10X 30 PLATED	4	4				10
16	.	1E3001-53150	CASE L, TRANSMISSION	1	1				
17	..	26216-080352	STUD M 8X 35 PLATED	3	3				10
18	..	26226-100302	STUD M10X 30 PLATED	4	4				10
19	.	1N1070-24300	CASE, BRAKE	1	1				1
20	.	1N1070-24430	BRACKET, SIDE CLUTCH	2	2				1
21	.	1N1070-24451	COVER, PAWL	2	2				1
22	.	1N1070-24480	COVER, 4TH SHFT. BRG.	2	2				1
23	.	1N1070-24510	PACKING, BRAKE CAP	1	1				1
24	.	1N1070-24520	PACKING, BRAKE CASE	1	1				1
25	.	1N1070-24530	PACKING, AXLE CASE	2	2				1
26	.	1N1070-24910	BOLT 8X110 11T	1	1				1
27	.	1E4030-27350	RETAINER, LEVER	1	1				1
28	.	1A1070-28690	PLUG 14, OIL	1	1				2
29	.	1E6320-53030	PACKING, TRANSM. CASE	1	1				1
30	.	1E3001-53040	CASE, AXLE	2	2				1
31	.	1E6150-53141	PACKING, SIDE CLUTCH	2	2				1
32	.	1E6071-53360	COVER 35, OILING	1	1				1
33	.	1E6250-53740	PACKING COVER W/PAWL	2	2				1
34	.	1E6320-53740	PACKING, COVER W/PAW	2	2				1
35	.	1E6150-56030	PACKING, RETAINER	1	1				1
36	.	1E3002-56350	BRACKET, SD. CLTCH. OUT	1	1				1
37	.	22137-080000	WASHER 8, POLISHED	15	15				10
38	.	22137-080000	WASHER 8, POLISHED	4	4				10
39	.	22217-060000	WASHER 6, SPRING	4	4				10
40	.	22217-080000	SPRING WASHER 8	15	15				10
41	.	22217-080000	SPRING WASHER 8	3	3				10
42	.	22217-080000	SPRING WASHER 8	6	6				10
43	.	22217-080000	SPRING WASHER 8	4	4				10
44	.	22217-100000	WASHER 10, SPRING	8	8				10
45	.	22242-000160	CIRCLIP 16	1	1				10
46	.	23414-080000	PACKING 8, ROUND	1	1				10
47	.	24311-000160	O-RING 1A P-16.0	1	1				10
48	.	26116-080202	BOLT M 8X 20 PLATED	3	3				10
49	.	26116-080202	BOLT M 8X 20 PLATED	4	4				10
50	.	26116-080902	BOLT M 8X 90 PLATED	1	1				10
51	.	26116-081102	BOLT M 8X110 PLATED	9	9				10
52	.	26116-081202	BOLT M 8X120 PLATED	4	4				10
53	.	26117-060202	BOLT M 6X 20 PLATED	4	4				10
54	.	26117-080162	BOLT M 8X 16 PLATED	1	1				10

\*\* CONTINUE \*\*

NO20317

13. TRANSMISSION CASE



DE3002-53000  
NO20317

↑-----↑  
| 1E05 |  
| (1E02) |  
↑-----↑  
NPC-2601

13. TRANSMISSION CASE

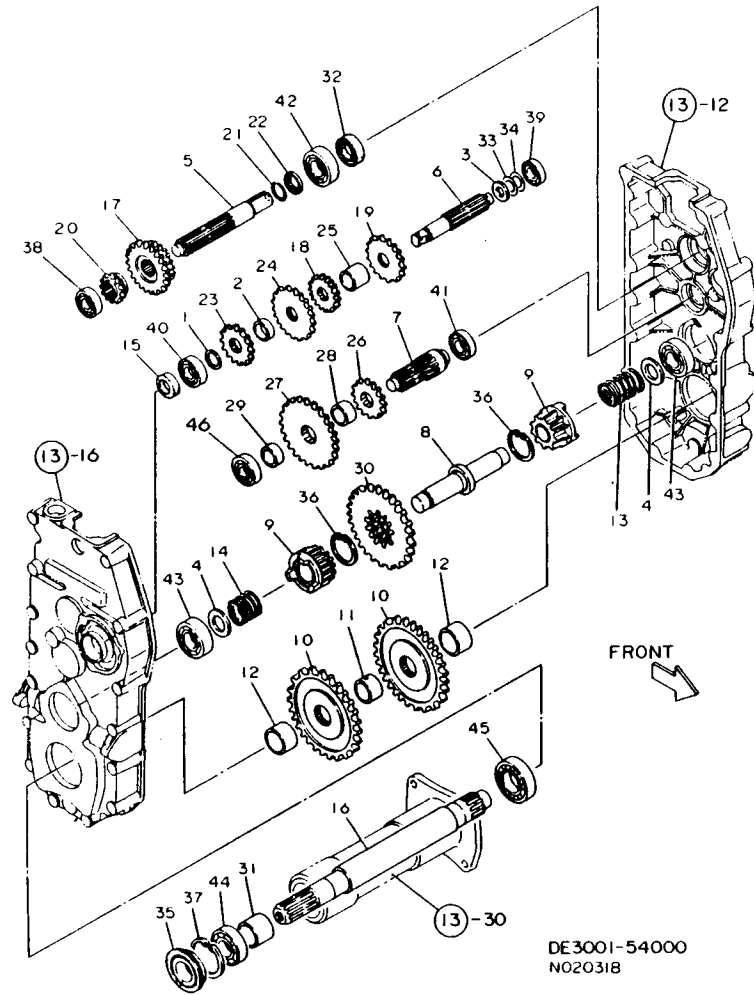
91.01.16

(A)=YMD60-EC (D)=  
(B)=YMD60-N (E)=  
(C)= (F)=

REF. NO.	LEV. 0	PART NO.	DESCRIPTION	Q'TY						I P/U A R
				(A)	(B)	(C)	(D)	(E)	(F)	
55	.	26577-060162	SCREW M 6X 16	4	4					10
56	.	26717-080002	NUT M 8	14	14					10
57	.	26717-080002	NUT M 8	6	6					10
58	.	26717-100002	NUT M10	8	8					10
59	.	26756-080002	LOCK NUT M 8 PLATED	1	1					10
60	.	1E602D-83890	CLIP	1	1					1

----- REMARKS -----  
 \* 7E3002-53000 ミッション シェミ  
 I\* 7E3002-53000 TRANSMISSON ASSY

14. TRANSMISSION INTERIOR



DE3001-54000  
N020318

-----+  
| 1E06 |  
| (1E02) |  
-----+  
NPC-2601

14. TRANSMISSION INTERIOR

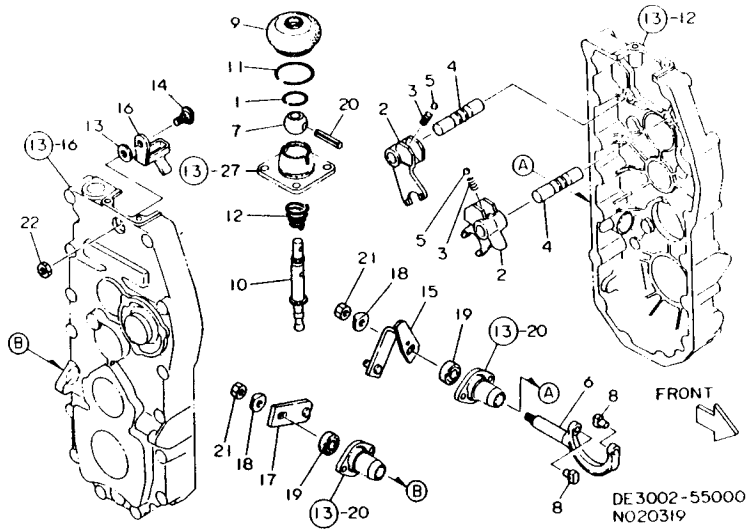
91.01.16

(A)=YMD60-EC (D)=  
(B)=YMD60-N (E)=  
(C)= (F)=

REF. NO.	LEV. 0	PART NO.	DESCRIPTION	-----Q'TY-----						I P/U A R
				(A)	(B)	(C)	(D)	(E)	(F)	
1	.	1E4070-14040	LINER 17.1X25X1	1	1					2
2	.	1E4030-24040	COLLAR,MAIN SHAFT	1	1					1
3	.	1E4030-24150	LINER 15	1	1					1
4	.	192010-24160	LINER 20	2	2					1
5	.	1N1070-25010	SHAFT,MAIN	1	1					1
6	.	1N1070-25020	SHAFT,2ND	1	1					1
7	.	1N1070-25031	SHAFT,3RD	1	1					1
8	.	1N1070-25041	SHAFT,4TH	1	1					1
9	.	1N1070-25181	RATCHET 14,4TH SHAFT	2	2					1
10	.	1N1070-25210	GEAR 41,AXLE	2	2					1
11	.	1N1070-25350	COLLAR 25.5X34X25	1	1					1
12	.	1N1070-25360	COLLAR 31.1X38.1X24	2	2					1
13	.	1N1070-25450	SPRING L	1	1					1
14	.	1N1070-25460	SPRING R	1	1					1
15	.	1A1120-28130	OIL SEAL TC17328	1	1					2
16	.	1E3001-53060	AXLE	2	2					1
17	.	1E3001-53070	GEAR 21-28,SLIDE	1	1					1
18	.	1E3001-53080	GEAR 14,2ND SHAFT	1	1					1
19	.	1E3001-53090	GEAR 21,2ND SHAFT	1	1					1
20	.	1E6070-54030	GEAR 15,MN.SHFT.SLD.	1	1					1
21	.	1E6070-54060	CIRCLIP 20	1	1					1
22	.	1E6070-54070	RETAINER,CIRCLIP	1	1					1
23	.	1E6070-54091	GEAR 20, 2ND SHAFT	1	1					1
24	.	1E6070-54110	GEAR 28, 2ND SHAFT	1	1					1
25	.	1E6070-54140	COLLAR 22.6X27.2X25	1	1					1
26	.	1E6150-54210	GEAR 14, 3RD SHAFT	1	1					1
27	.	1E6071-54220	GEAR 36, 3RD SHAFT	1	1					1
28	.	1E6070-54230	COLLAR 25.5X30X14	1	1					1
29	.	1E6070-54240	COLLAR 18.2X28X8	1	1					1
30	.	1E6150-54370	GEAR 35, 4TH SHAFT	1	1					1
31	.	1E6070-54410	COLLAR	2	2					1
32	.	1E6070-54460	OIL SEAL TC20407	1	1					1
33	.	1E6070-54610	SHIM 17.5X25X0.3	1	1					10
34	.	1E6070-54610	SHIM 17.5X25X0.3	1	1					10
35	.	1E6140-73420	SEAL QLF255218, OIL	2	2					1
36	.	22252-000421	CIRCLIP 42	2	2					1
37	.	22252-000521	CIRCLIP 52	2	2					10
38	.	24101-062024	BALL BEARING	1	1					1
39	.	24101-062024	BALL BEARING	1	1					1
40	.	24101-062034	BALL BEARING	1	1					1
41	.	24101-062034	BALL BEARING	1	1					1
42	.	24101-062044	BALL BEARING	1	1					1
43	.	24101-062044	BALL BEARING	2	2					1
44	.	24101-062054	BEARING #6205	2	2					1
45	.	24101-062064	BALL BEARING	2	2					1
46	.	24101-063034	BALL BEARING	1	1					1



15. SPEED CHANGE



↑-----↑  
 | 1E07 |  
 | (1E02) |  
 ↑-----↑  
 NPC-2601

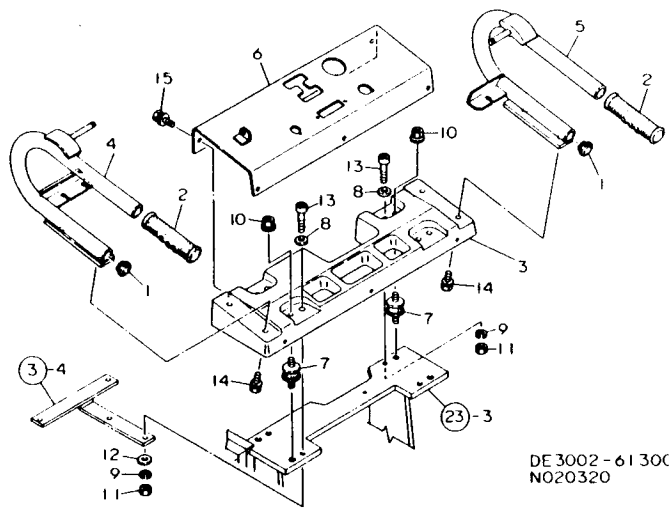
15. SPEED CHANGE

91.01.16

(A)=YMD60-EC (D)=  
 (B)=YMD60-N (E)=  
 (C)= (F)=

REF. NO.	LEV. 0	PART NO.	DESCRIPTION	Q'TY-----						I	P	U	A	R
				(A)	(B)	(C)	(D)	(E)	(F)					
1	.	1A1040-26320	CIRCLIP 30-H	1	1									5
2	.	1N1070-26410	FORK, CHANGE	2	2									1
3	.	1A1040-26750	SPRING, FORK	2	2									2
4	.	1E6150-56010	SHAFT, FORK	2	2									1
5	.	24190-100001	BALL 5/16, STEEL	2	2									1
6	.	1N1070-26451	BODY, SD. CLUTCH FORK	2	2									1
7	.	1E4030-27340	BALL, CHANGE SHIFTER	1	1									1
8	.	1A1040-27720	ROLLER, RO. SHIFTER	4	4									2
9	.	1A1040-28180	COVER, RUBBER	1	1									1
10	.	1E6320-56010	ROD, MAIN CHANGE	1	1									1
11	.	1E6090-56040	CLIP	1	1									1
12	.	1E6090-56060	SPRING, MN. CHG. SHIFTR	1	1									1
13	.	1E6090-56070	WASHER 8.3X22X1	1	1									1
14	.	1E6090-56080	PIN, ROD STOP	1	1									1
15	.	1E3002-56100	ARM L, SIDE CLUTCH	1	1									1
16	.	1E6090-56100	STOPPER, MN. CHG. ROD	1	1									1
17	.	1E3001-56131	ARM R, SIDE CLUTCH	1	1									1
18	.	1E6070-56290	WASHER 8	2	2									10
19	.	1E6090-56420	SEAL TC14284, OIL	2	2									1
20	.	1E4030-99330	CASTLE PIN F 5X40	1	1									10
21	.	26717-080002	NUT M 8	2	2									10
22	.	26757-080002	LOCK NUT M 8 PLATED	1	1									10

16. HANDLE



DE 3002 - 61300  
N020320

↑-----↑  
↑ 1E09 ↑  
↑ 1E08 ↑  
↑-----↑  
NPC-2601

16. HANDLE

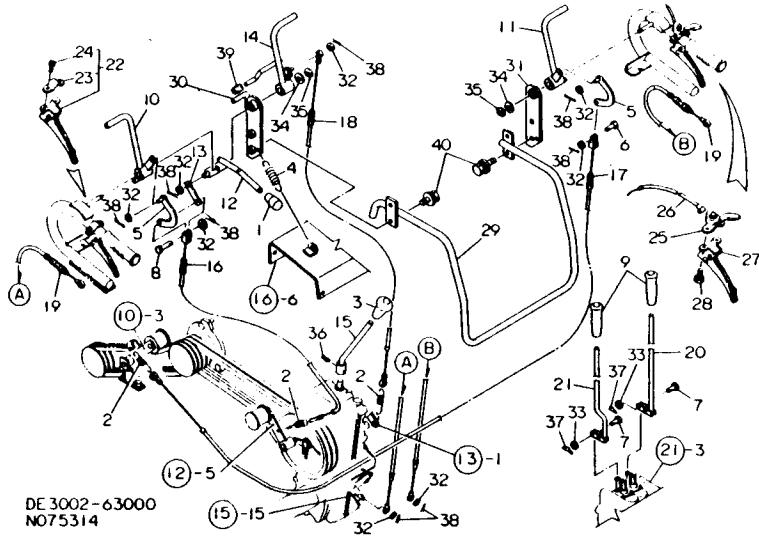
91.01.16

(A)=YMD60-EC (D)=  
(B)=YMD60-N (E)=  
(C)= (F)=

REF. NO.	LEV. 0	PART NO.	DESCRIPTION	-----Q'TY-----						I P/U A R
				(A)	(B)	(C)	(D)	(E)	(F)	
1	.	1A1140-51410	CAP, HANDLE	2	2					1
2	.	1A1040-58170	GRIP, HANDLE	2	2					2
3	.	1E3002-61010	COLUMN, HANDLE	1	1					
4	.	1E3002-61050-1	HANDLE L	1	1					
5	.	1E3002-61120-1	HANDLE R	1	1					
6	.	1E3002-61200-1	COVER, CHANGE	1	1					
7	.	1E3001-61900	RUBBER KA30, VIBR. PRF	4	4					1
8	.	22137-120000	WASHER 12, POLISHED	4	4					10
9	.	22217-120000	WASHER 12, SPRING	4	4					10
10	.	26367-080002	U-NUT M 8	4	4					10
11	.	26717-120002	NUT M12	4	4					10
12	.	22137-120000	WASHER 12, POLISHED	2	2					10
13	.	26450-120602	BOLT M12X 60	4	4					10
14	.	26016-100404	BOLT 10X40	4	4					10
15	.	26018-060164	BOLT M 6X 16	5	5					20

N020320

17. CONTROL



↑-----↑  
↑ 1E10 ↑  
↑ (1E08) ↑  
↑-----↑  
NPC-2601

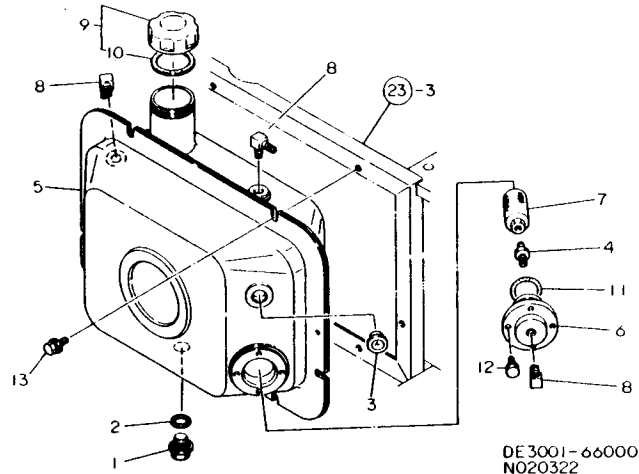
17. CONTROL

91.01.16

(A)=YMD60-EC (D)=  
(B)=YMD60-N (E)=  
(C)= (F)=

REF. NO.	LEV. 0	PART NO.	DESCRIPTION	-----QTY-----						
				(A)	(B)	(C)	(D)	(E)	(F)	
1	-	1D2050-15480	KNOB, LEVER	1	1					1
2	-	1E4060-16050	SPRING, CLUTCH	3	3					1
3	-	1E4060-26430	GRIP	1	1					1
4	-	1N1740-37170	SPRING, BACK STOP	1	1					1
5	-	1A1380-55660	JOINT, LEVER	2	2					1
6	-	1A1040-56900	PIN 6X 17	1	1					2
7	-	1A1040-56900	PIN 6X 17	4	4					2
8	-	1A1040-56910	PIN M 6X 23	1	1					2
9	-	1A1120-57980	GRIP	2	2					2
10	-	1E3002-63010	LEVER, MAIN CLUTCH	1	1					
11	-	1E3002-63050	LEVER, VIBRATOR	1	1					
12	-	1E3002-63100	LEVER, PUSH	1	1					
13	-	1E3002-63130	LINK, LEVER	1	1					
14	-	1E3002-63150	LEVER, PARKING	1	1					
15	-	1E3001-63200	LEVER, MAIN CHANGE	1	1					1
16	-	1E3001-63301	WIRE, MAIN CLUTCH	1	1					1
17	-	1E3001-63311	WIRE, VIBRATOR	1	1					1
18	-	1E3001-63321	WIRE, PARKING BRAKE	1	1					1
19	-	1E3001-63340	WIRE, SIDE CLUTCH	2	2					1
20	-	1E3002-63400	LEVER 1, CONTROL	1	1					
21	-	1E3002-63450	LEVER 2, CONTROL	1	1					
22	-	1E3002-63500	LEVER L COMP., CLUTCH	1	1					
23	..	1A1040-57390	BAND, CLAMPING	1	1					1
24	..	26117-060309	BOLT M 6X 30 PLATED	2	2					10
25	-	1E3001-63270	LEVER CMP, ACCELERAT.	1	1					
26	-	1E4351-50180	WIRE, ACCELERATOR	1	1					1
27	-	1E3002-63610	LEVER R COMP., CLUTCH	1	1					
28	-	26117-060259	BOLT M 6X 25 PLATED	2	2					10
29	-	1E3002-63651	LEVER, BACK STOP	1	1					
30	-	1E3002-63700	FITTINGS L, FULCRUM	1	1					
31	-	1E3002-63750	FITTINGS R, FULCRUM	1	1					
32	-	22137-060000	WASHER 6, POLISHED	8	8					10
33	-	22137-060000	WASHER 6, POLISHED	4	4					10
34	-	22137-130000	WASHER 13	2	2					10
35	-	22272-000100	CIRCLIP E-10	2	2					10
36	-	22351-050025	SPRING PIN 5X25	1	1					10
37	-	22360-060000	SNAP PIN 6	4	4					10
38	-	22417-200160	COTTER PIN 2.0X16	8	8					10
39	-	23061-100020	PIPE 10X20, VINYL	1	1					1
40	-	26018-080204	BOLT M 8X 20	4	4					20

18. OIL TANK



+-----+  
| 1E12 |  
| (1E11) |  
+-----+  
NPC-2601

18. OIL TANK

91.01.16

(A)=YMD60-EC (D)=  
(B)=YMD60-N (E)=  
(C)= (F)=

REF. NO.	LEV. 0	PART NO.	DESCRIPTION	-----Q'TY-----						I P/U A R
				(A)	(B)	(C)	(D)	(E)	(F)	
1	.	1E6460-03200	PLUG 16, DRAIN	1	1					1
2	.	1E6460-03210	PACKING 16	1	1					5
3	.	1A1070-28210	WINDOW 20,OIL CHECK	1	1					1
4	.	1E3000-66900	NIPPLE PT1/4	1	1					1
5	.	1E3001-66010	TANK, HYDRAULIC OIL	1	1					1
6	.	1E3001-66130	SOCKET	1	1					1
7	.	1E3000-66910	SUCTION STRAINER	1	1					1
8	.	1E6030-67030	ELBOW 90°	3	3					1
9	.	7E6251-77320	CAP ASSY, FUEL	1	1					1
10	..	1A1120-61541	SEAL, RUBBER	1	1					1
11	.	24321-000350	O-RING 1A G-35.0	1	1					10
12	.	26016-060164	BOLT 6X16 W/L.W.	4	4					30
13	.	26018-080164	BOLT M 8X 16	6	6					20

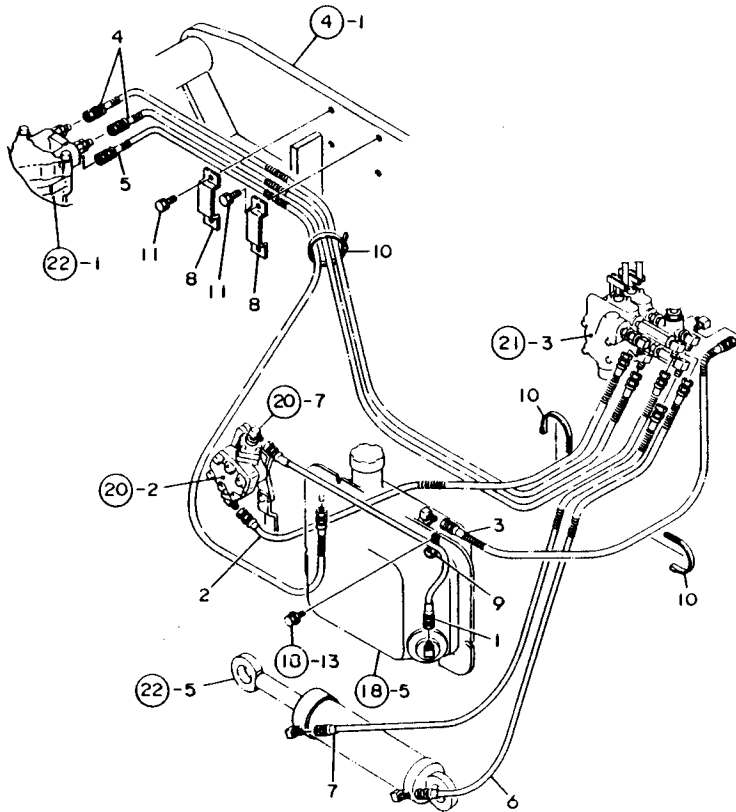
19. PIPING

91-01-16

↑-----↑  
 | 1E13 |  
 | (1E11) |  
 ↓-----↓  
 NPC-2601

19. PIPING

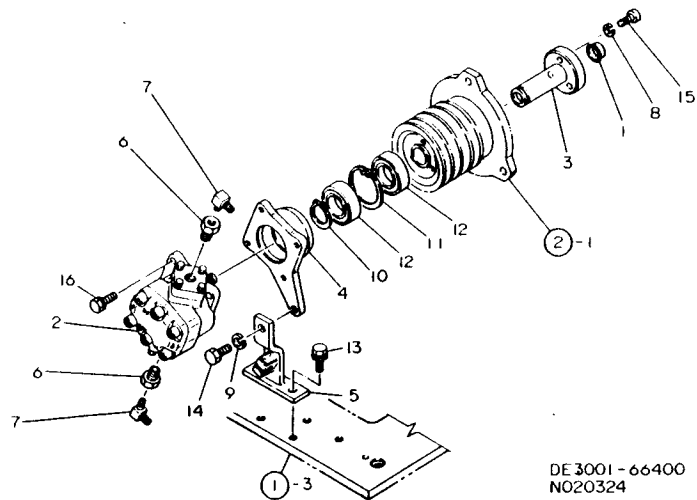
(A)=YMD6D-EC (D)=  
 (B)=YMD6D-N (E)=  
 (C)= (F)=



DE 3002-66100  
 N020323

REF. NO.	LEV. 0	PART NO.	DESCRIPTION	-----Q'TY-----						I P/U A R
				(A)	(B)	(C)	(D)	(E)	(F)	
1	-	1E3001-67010	HOSE P-T, HYDRAULIC	1	1					1
2	-	1E3001-67020	HOSE C-P, HYDRAULIC	1	1					1
3	-	1E3001-67030	HOSE C-T, HYDRAULIC	1	1					1
4	-	1E3001-67041	HOSE C-M, HYDRAULIC	2	2					
5	-	1E3001-67051	HOSE M-T, HYDRAULIC	1	1					
6	-	1E3001-67060	HOSE C-SF, HYDRAULIC	1	1					1
7	-	1E3001-67070	HOSE C-SR, HYDRAULIC	1	1					1
8	-	1E3002-66100	CLAMP, HOSE	2	2					
9	-	1E6020-83890	CLIP	1	1					1
10	-	1E6102-84970	BAND 140, WIRE LOCK	3	3					1
11	-	26016-080164	BOLT M 8X 16	4	4					30

20. HYDRAULIC PUMP



DE3001-66400  
N020324

↑-----↑  
↑ 1E14 ↓  
↑ (1E11) ↓  
↑-----↑  
NPC-2601

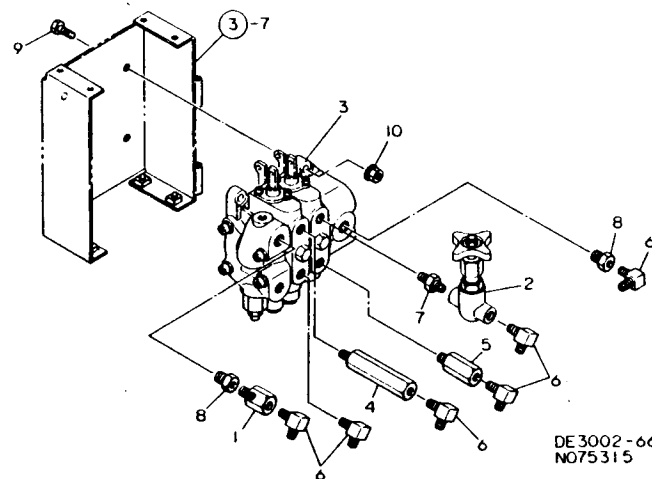
91.01.16

(A)=YMD60-EC (D)=  
(B)=YMD60-N (E)=  
(C)= (F)=

REF. NO.	LEV. 0	PART NO.	DESCRIPTION	-----Q'TY-----						I	P	U	A	R
				(A)	(B)	(C)	(D)	(E)	(F)					
1	.	1NE050-43760	CAP 20X8	1	1									1
2	.	1E3001-66160	PUMP 6P-08-2, GEAR	1	1									1
3	.	1E3001-66170	SHAFT, PUMP MOUNTING	1	1									1
4	.	1E3001-66180	FLANGE, PUMP MTG.	1	1									1
5	.	1E3001-66210	SEAT, FLANGE	1	1									1
6	.	1E3000-66950	BUSHING 1/2X1/4	2	2									1
7	.	1E6030-67030	ELBOW 90°	2	2									1
8	.	22217-080000	SPRING WASHER 8	3	3									10
9	.	22217-100000	WASHER 10, SPRING	1	1									10
10	.	22242-000250	CIRCLIP 25S	1	1									10
11	.	22252-000521	CIRCLIP 52	1	1									10
12	.	24104-062054	BALL BEARING	2	2									1
13	.	26018-080204	BOLT M 8X 20	2	2									20
14	.	26116-100202	BOLT M10X 20 PLATED	1	1									10
15	.	26450-080302	BOLT M 8X 30	3	3									10
16	.	26013-080202	BOLT M 8X 20	4	4									10

N020324

21. HYDRAULIC VALVE



DE3002-66500  
N075315

↑-----↑  
↑ 1E15 ↓  
↑ (1E11) ↓  
↑-----↑  
NPC-2601

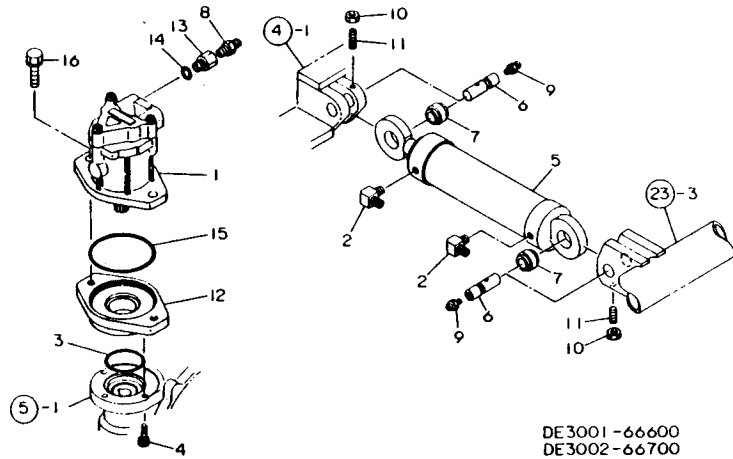
91.01.16

(A)=YMD60-EC (D)=  
(B)=YMD60-N (E)=  
(C)= (F)=

REF. NO.	LEV. 0	PART NO.	DESCRIPTION	-----Q'TY-----						I	P	U	A	R
				(A)	(B)	(C)	(D)	(E)	(F)					
1	.	1N1910-45310	FILTER ASSY, LINE	1	1									
2	.	1E3002-66150	VALVE COMP., STOP	1	1									
3	.	1E3001-66300	VALVE CONTROL	1	1									1
4	.	1E3002-66350	CONNECTOR A PT1/4	1	1									
5	.	1E3002-66370	CONNECTOR B PT1/4	1	1									
6	.	1E6030-67030	ELBOW 90°	6	6									1
7	.	23395-020000	JOINT	1	1									1
8	.	23396-030200	JOINT RRB3/8X1/4	2	2									1
9	.	26117-080302	BOLT M 8X 30	3	3									10
10	.	26367-080002	U-NUT M 8	3	3									10

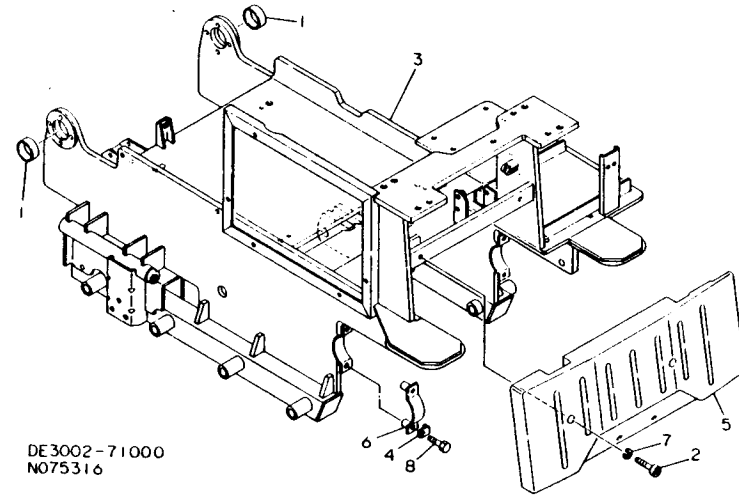
N075315

## 22. OIL MOTOR



DE3001-66600  
DE3002-66700  
N020325

## 23. CHASSIS FRAME



DE3002-71000  
N075316

↑-----↑  
| 1E16 |  
| (1E11) |  
↑-----↑  
NPC-2601

91.01.16

(A)=YMD60-EC (D)=  
(B)=YMD60-N (E)=  
(C)= (F)=

REF. NO.	LEV. 0	PART NO.	DESCRIPTION	-----Q'TY-----						I	P	U	A	R
				(A)	(B)	(C)	(D)	(E)	(F)					
1	.	1E3001-66250	MOTOR MSF,OIL	1	1									
2	.	1E6030-67030	ELBOW 90°	2	2							1		
3	.	24321-000600	O-RING 1A G-60.0	1	1							10		
4	.	26013-080302	BOLT M 8X 30	3	3							10		
5	.	1E3002-66500	CYLINDER,HYDRAULIC	1	1									
6	.	1E3002-66760	PIN,GUDGEON	2	2									
7	.	1E3000-66980	SHFT SUPPORT	2	2							1		
8	.	1C6140-46750	ADAPTER 1/4	3	3							1		
9	.	24761-010000	NIPPLE M6F, GREASE	2	2							5		
10	.	26797-080002	LOCK NUT M 8	2	2							10		
11	.	26979-080302	SCREW 8X30,HEX.S.LOC	2	2							1		
12	.	1E3001-66260	MOUNT,OIL MOTOR	1	1									
13	.	1N1940-42720	NIPPLE PF3/8 PT1/4	3	3									
14	.	24311-000140	O-RING 1A P-14.0	3	3							10		
15	.	24321-001000	O-RING 1A G-100.0	1	1							10		
16	.	26013-120302	BOLT M12X 30	2	2							10		

N020325

↑-----↑  
| 1F02 |  
| (1F01) |  
↑-----↑  
NPC-2601

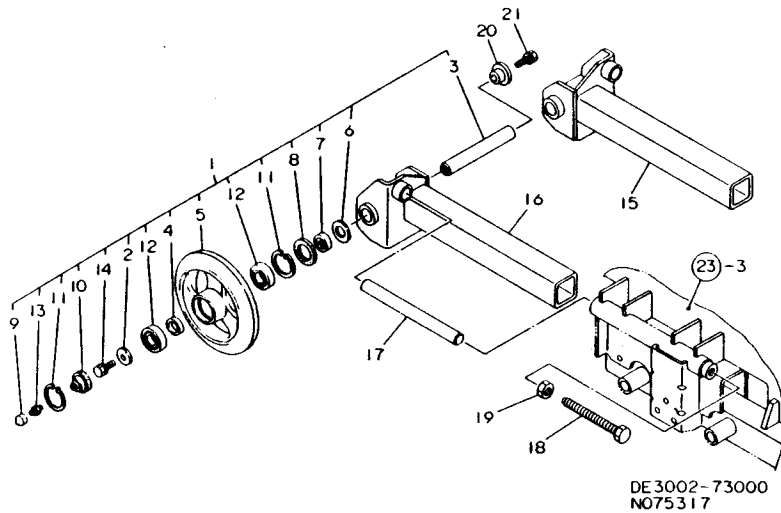
91.01.16

(A)=YMD60-EC (D)=  
(B)=YMD60-N (E)=  
(C)= (F)=

REF. NO.	LEV. 0	PART NO.	DESCRIPTION	-----Q'TY-----						I	P	U	A	R
				(A)	(B)	(C)	(D)	(E)	(F)					
1	.	1E3000-11280	BUSH	2	2									
2	.	1E3000-23900	BOLT 12X45,HEX.SH.	2	2									1
3	.	1E3002-71010	FRAME,CHASSIS	1	1									1
4	.	1E6150-71370	WASHER, LOCKING	4	4									2
5	.	1E3001-71650	WEIGHT,BALANCE	1	1									1
6	.	1E3001-71750	PLATE CMP,FINAL CLMP	2	2									
7	.	22217-120000	WASHER 12,SPRING	2	2									10
8	.	26117-100452	BOLT M10X 45 PLATED	4	4									10

N075316

## 24. IDLER



DE 3002-73000  
NO75317

-----  
| 1F03 |  
(1F01)
NPC-2601

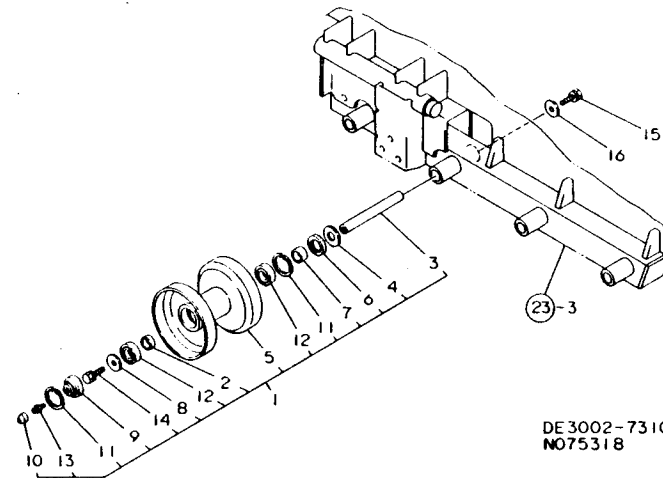
91.01.16

(A)=YMD60-EC (D)=  
(B)=YMD60-N (E)=  
(C)= (F)=

REF. NO.	LEV. 0	PART NO.	DESCRIPTION	-----Q'TY-----						I	P	U	A	R
				(A)	(B)	(C)	(D)	(E)	(F)					
1	.	7E3002-73180	IDLER ASSY.	1	1									
2	..	1A1680-46460	WASHER 12X33X6	1	1								1	
3	..	1E3002-73151	SHAFT, IDLER	2	2									
4	..	1E6460-73170	COLLAR	2	2								1	
5	..	1E6910-73180	IDLER M15	2	2								1	
6	..	1E6460-73190	COLLAR 25X46X3.2	2	2								1	
7	..	1E6910-73190	SLEEVE 25X35X13	2	2								1	
8	..	1E6910-73200	SEAL 35X47X8	2	2								1	
9	..	1E6910-73540	CAP, GREASE	2	2								1	
10	..	1E6910-73550	CAP 47, ROLLER	2	2								1	
11	..	22252-000471	CIRCLIP 47	4	4								10	
12	..	24101-060054	BALL BEARING	4	4								1	
13	..	24761-060000	NIPPLE MT6X1, GREASE	2	2								5	
14	..	26013-120302	BOLT M12X 30	1	1								10	
15	.	1E3002-73051	METAL (L), IDLER	1	1									
16	.	1E3002-73101	METAL R, IDLER	1	1									
17	.	1E6910-73210	SHAFT, IDLER TENSION	2	2								1	
18	.	1E6910-73350	BOLT, CRAWLER TENSION	2	2								1	
19	.	26717-160002	NUT M16	2	2								10	
20	.	1E3002-73170	WASHER 12, IDLER	1	1									
21	.	26013-120452	BOLT M12X 45	1	1								10	

NO75317

## 25. TRACK ROLLER



DE 3002-73100  
NO75318

-----  
| 1F04 |  
(1F01)
NPC-2601

91.01.16

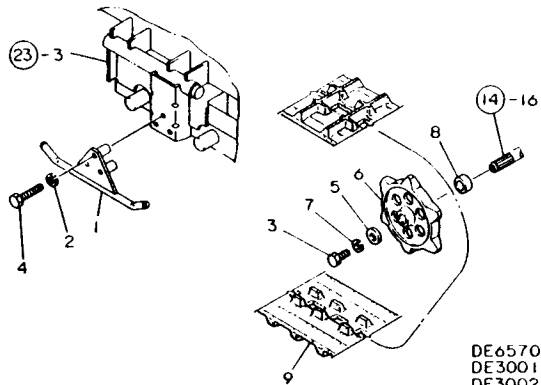
(A)=YMD60-EC (D)=  
(B)=YMD60-N (E)=  
(C)= (F)=

REF. NO.	LEV. 0	PART NO.	DESCRIPTION	-----Q'TY-----						I	P	U	A	R
				(A)	(B)	(C)	(D)	(E)	(F)					
1	.	7E3002-73100	TRACK ROLLER ASSY.	8	8									
2	..	1E6050-58240	COLLAR 20.3X25.4X12	8	8									1
3	..	1E6460-73050	SHAFT, ROLLER	8	8									1
4	..	1E6460-73080	COLLAR 20X41X3.2	8	8									1
5	..	1E8090-73100	ROLLER, TRACK	8	8									1
6	..	1E6910-73150	SEAL 30X42X8	8	8									1
7	..	1E6910-73160	SLEEVE 20X30X13	8	8									1
8	..	1E6570-73201	WASHER 10.5X28X3.2	8	8									1
9	..	1E6910-73500	CAP 42, ROLLER	8	8									1
10	..	1E6910-73540	CAP, GREASE	8	8									1
11	..	22252-000421	CIRCLIP 42	16	16									1
12	..	24101-060044	BALL BEARING 6004	16	16									1
13	..	24761-060000	NIPPLE MT6X1, GREASE	8	8									5
14	..	26043-100302	BOLT M10X 30	8	8									10
15	..	26043-100302	BOLT M10X 30	8	8									10
16	.	1A1380-46460	WASHER 10X33X6	8	8									1

NO75318



26. SPROCKET & CRAWLER



DE6570-73110  
DE3001-73500  
DE3002-73700  
N062034

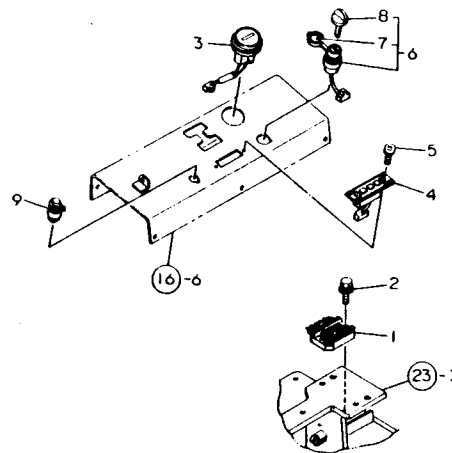
91.01.16

-----+  
| 1F05 |  
| (1F01) |  
+-----+  
NPC-2601

(A)=YMD60-EC (D)=  
(B)=YMD60-N (E)=  
(C)= (F)=

REF. NO.	LEV. 0	PART NO.	DESCRIPTION	-----Q'TY-----						I	P	U	A	R
				(A)	(B)	(C)	(D)	(E)	(F)					
1	-	1E8180-73600	GUIDE, CRAWLER	2	2								1	
2	-	22217-100000	WASHER 10, SPRING	6	6								10	
3	-	26116-100302	BOLT M10X 30 PLATED	2	2								10	
4	-	26116-100602	BOLT M10X 60 PLATED	6	6								10	
5	-	1A1380-46460	WASHER 10X33X6	2	2								1	
6	-	1E6150-54581	SPROCKET	2	2								1	
7	-	22217-100000	WASHER 10, SPRING	2	2								10	
8	-	1E6150-54570	COLLAR 25.2X38X11.5	2	2								1	
9	-	1E3002-73500	CRAWLER 20-72X34	2	2									

27. REGULATOR



DE3001-17100  
DE3002-81000  
DE3001-81300  
N075319

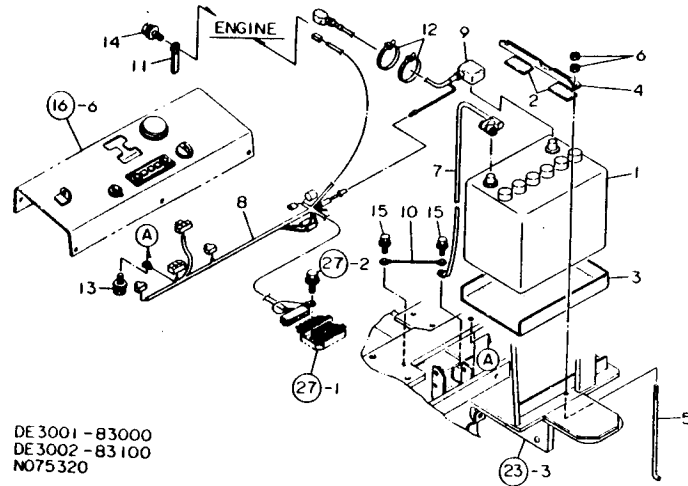
91.01.16

-----+  
| 1F07 |  
| (1F06) |  
+-----+  
NPC-2601

(A)=YMD60-EC (D)=  
(B)=YMD60-N (E)=  
(C)= (F)=

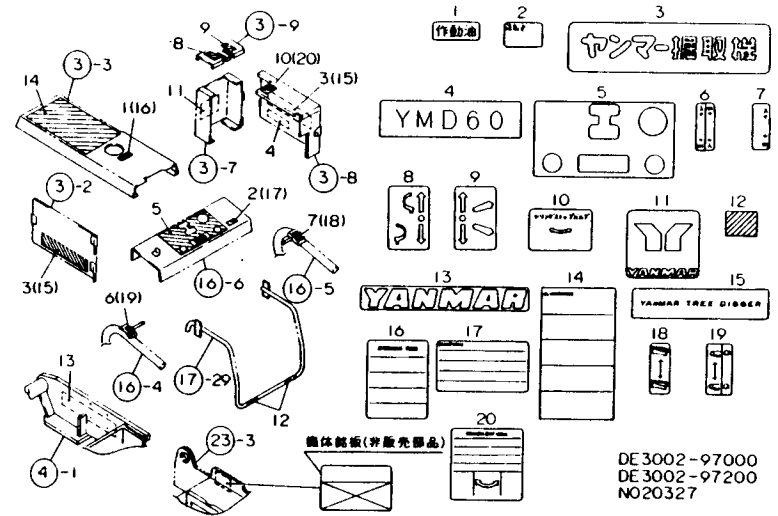
REF. NO.	LEV. 0	PART NO.	DESCRIPTION	-----Q'TY-----						I	P	U	A	R
				(A)	(B)	(C)	(D)	(E)	(F)					
1	-	1E6550-05050	REGULATOR RS5114	1	1									1
2	-	26018-060204	BOLT M 6X 20	2	2									20
3	-	172147-17200	METER, HOUR	1	1									1
4	-	172730-55110	BOX, PILOT	1	1									1
5	-	26022-050122	SCREW M 5X 12	2	2									10
6	-	1A2020-83100	SWITCH COMP., KEY	1	1									1
7	..	1A2020-83120	CAP, WATERPROOF	1	1									1
8	..	1A2020-83130	KEY, WATERPROOF	1	1									1
9	-	1A2020-83350	SWITCH ASSY, FLASHER	1	1									1

## 28. BATTERY



DE 3001-83000  
DE 3002-83100  
NO75320

## 29. LABELS



DE 3002-97000  
DE 3002-97200  
NO20327

↑-----↑  
↑ 1F08 ↑  
↑ (1F06) ↑  
↑-----↑  
NPC-2601

91.01.16

(A)=YMD60-EC  
(B)=YMD60-N  
(C)=

(D)=  
(E)=  
(F)=

REF. NO.	LEV. 0	PART NO.	DESCRIPTION	-----Q'TY-----						I	P	U	A	R
				(A)	(B)	(C)	(D)	(E)	(F)					
1	.	1N1251-51070	BATTERY NS70	1	1									1
2	.	1E3000-67410	RUBBER A,HOSE RETAIN	2	2									1
3	.	1E3001-81050	PLATE,RUBBER	1	1									1
4	.	1E3001-81070	PLATE,BATTERY KEEP	1	1									1
5	.	1E6320-81820	ROD, BATTERY CLAMP	2	2									1
6	.	26717-060002	NUT M 6	4	4									10
7	.	1N1251-51090	CORD,BATTERY NEGATIV	1	1									1
8	.	1E3002-81150	HARNESS A	1	1									1
9	.	1E3001-81160	CABLE A,BATTERY	1	1									1
10	.	1E3001-81170	HARNESS 250,WIRE	1	1									1
11	.	1E6020-83890	CLIP	1	1									1
12	.	1E6150-83910	BAND 195	2	2									1
13	.	26018-060124	BOLT M 6X 12	1	1									20
14	.	26018-060124	BOLT M 6X 12	1	1									20
15	.	26018-080164	BOLT M 8X 16	2	2									20

NO75320

↑-----↑  
↑ 1F10 ↑  
↑ (1F09) ↑  
↑-----↑  
NPC-2601

91.01.16

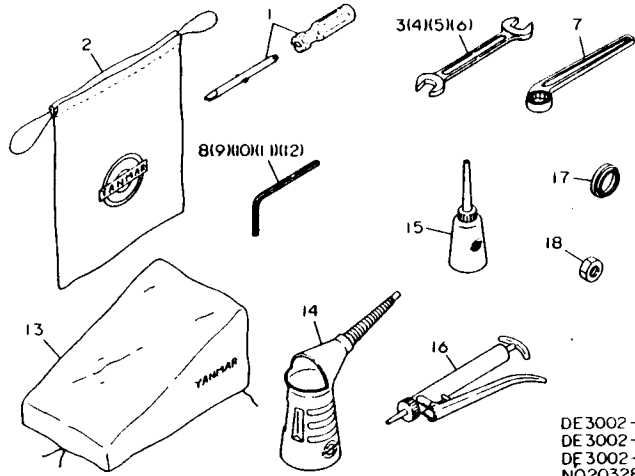
(A)=YMD60-EC  
(B)=YMD60-N  
(C)=

(D)=  
(E)=  
(F)=

REF. NO.	LEV. 0	PART NO.	DESCRIPTION	-----Q'TY-----						I	P	U	A	R
				(A)	(B)	(C)	(D)	(E)	(F)					
1	.	172336-03500	LABEL, HYD. OIL	1										1
2	.	1E6320-78910	LABEL,KEY SW.CAUTION	1										1
3	.	1E3001-97050	LABEL,DIGGER	2										1
4	.	1E3002-97060	LABEL,MODEL	1	1									1
5	.	1E3002-97120	LABEL,MAIN CHANGE	1	1									1
6	.	1E3001-97130	LABEL,MAIN CLUTCH	1										1
7	.	1E3001-97140	LABEL,VIBRATOR	1	1									1
8	.	1E3002-97160	LABEL 1,CONTROL	1	1									1
9	.	1E3002-97170	LABEL 2,CONTROL	1	1									1
10	.	1E3001-97200	LABEL,STOP VALVE	1	1									1
11	.	933110-96000	LABEL 1,DANGER	1	1									1
12	.	1N1730-67151	MARK 1,DANGER	2	2									1
13	.	1E8061-97950	MARK,FRONT COVER	1	1									1
14	.	1E3002-97290	LABEL,HANDL'G CAUT'N	1										1
15	.	1E3002-97300	LABEL,DIGGER	2										1
16	.	1E3002-97310	LABEL,HYDRAULIC OIL	1										1
17	.	1E3002-97320	LABEL,KEY SW.CAUTION	1										1
18	.	1E3002-97360	MARK,VIBRATOR	1										1
19	.	1E3002-97370	MARK,MAIN CLUTCH	1										1
20	.	1E3002-97400	LABEL,STOP VALVE	1										1

NO20327

30. TOOLS & ACCESSORIES



DE3002-98000  
DE3002-98100  
DE3002-98200  
N020328

↑-----↑  
↑(1F12)↑  
↑(1F11)↑  
↑-----↑  
NPC-2601

30. TOOLS & ACCESSORIES

91.01.16

(A)=YMD60-EC (D)=  
(B)=YMD60-N (E)=  
(C)= (F)=

REF. NO.	LEV. 0	PART NO.	DESCRIPTION	-----Q'TY-----						I P/U A R
				(A)	(B)	(C)	(D)	(E)	(F)	
1	.	1A1290-82050	SCREWDRIER, COMBINAT	1	1					1
2	.	1A1180-83000	BAG, TOOL	1	1					1
3	.	28110-100120	WRENCH 10X12	1	1					1
4	.	28110-140170	WRENCH 14X17	1	1					1
5	.	28110-190220	WRENCH 19X22	1	1					1
6	.	28110-220240	WRENCH 22X24	1	1					1
7	.	1E3002-98020	WRENCH 32X36	1	1					1
8	.	28150-040000	BAR WRENCH	1	1					1
9	.	28150-050000	BAR WRENCH	1	1					1
10	.	28150-060000	BAR WRENCH 6	1	1					1
11	.	28150-080000	BAR WRENCH 8	1	1					1
12	.	28150-100000	BAR WRENCH	1	1					1
13	.	1E3001-98850	COVER, OPERATOR SEAT	1	1					1
14	.	7E4133-99290	JUG ASSY, OIL	1	1					1
15	.	28210-000140	FEEDER, OIL	1	1					1
16	.	933110-09500	GUN, GREASE	1	1					1
17	.	1E3002-23180	SCRAPER 2531, SER.	1	1					1
18	.	26737-240002	NUT M24	1	1					10

PART NO.	GRP. NO.	REF. NO.	LOC. NO.	PART NO.	GRP. NO.	REF. NO.	LOC. NO.	PART NO.	GRP. NO.	REF. NO.	LOC. NO.	PART NO.	GRP. NO.	REF. NO.	LOC. NO.
X211415502	14	3	1C01	1D2050-15480	17	1	1E10	1E3001-53080	14	18	1E06	1E3002-12050	5	4	1D10
X211425502	14	4	1C01	1D4100-32570	8	9	1D13	1E3001-53090	14	19	1E06	1E3002-12060	5	5	1D10
X211425506	14	20	1C01	1E1030-11070	10	1	1D15	1E3001-53150	13	16	1E04	1E3002-12130	6	10	1D11
X21142742	14	24	1C01	1E3000-11250	4	2	1D08	1E3001-53200	13	12	1E04	1E3002-12200	6	11	1D11
X211428008	14	26	1C01	1E3000-11260	4	3	1D08	1E3001-56131	15	17	1E07	1E3002-12240	6	13	1D11
X211429006	14	19	1C01	1E3000-11280	23	1	1F02	1E3001-61900	16	7	1E09	1E3002-12260	6	14	1D11
X21143215	14	6	1C01	1E3000-11290	4	4	1D08	1E3001-63200	17	15	1E10	1E3002-12270	6	3	1D11
X211435502	14	21	1C01	1E3000-11300	4	5	1D08	1E3001-63270	17	25	1E10	1E3002-12280	6	4	1D11
X211442003	14	5	1C01	1E3000-11900	4	8	1D08	1E3001-63301	17	16	1E10	1E3002-12311	6	15	1D11
X211446012	14	13	1C01	1E3000-12120	6	9	1D11	1E3001-63311	17	17	1E10	1E3002-12320	6	16	1D11
X211447007	14	12	1C01	1E3000-23900	11	13	1E01	1E3001-63321	17	18	1E10	1E3002-12370	6	17	1D11
X211455011	14	17	1C01		23	2	1F02	1E3001-63340	17	19	1E10	1E3002-12920	6	19	1D11
X211455502	14	22	1C01	1E3000-66900	18	4	1E12	1E3001-66010	18	5	1E12	1E3002-12930	6	20	1D11
X211458012	14	25	1C01	1E3000-66910	18	7	1E12	1E3001-66130	18	6	1E12	1E3002-13010	7	1	1D12
X21145866	14	16	1C01	1E3000-66950	20	6	1E14	1E3001-66160	20	2	1E14	1E3002-13050	7	2	1D12
X211459002	14	9	1C01	1E3000-66980	22	7	1E16	1E3001-66170	20	3	1E14	1E3002-13060	7	3	1D12
X211461005	14	2	1C01	1E3000-67410	28	2	1F08	1E3001-66180	20	4	1E14	1E3002-13110	7	4	1D12
X211465011	14	18	1C01	1E3001-01020	2	1	1D04	1E3001-66210	20	5	1E14	1E3002-13120	7	5	1D12
X211466605	14	23	1C01	1E3001-01050	1	3	1D03	1E3001-66250	22	1	1E16	1E3002-13170	8	2	1D13
X211468005	14	14	1C01	1E3001-01190	2	4	1D04	1E3001-66260	22	12	1E16	1E3002-13190	8	3	1D13
X211469002	14	7	1C01	1E3001-01601	3	4	1D06	1E3001-66300	21	3	1E15	1E3002-13240	8	7	1D13
X211479001	14	8	1C01	1E3001-11470	4	7	1D08	1E3001-67010	19	1	1E13	1E3002-13260	8	8	1D13
X211483003	14	11	1C01	1E3001-12010	5	1	1D10	1E3001-67020	19	2	1E13	1E3002-14200	9	19	1D14
X21148314	14	10	1C01	1E3001-12080	5	6	1D10	1E3001-67030	19	3	1E13	1E3002-14210	9	20	1D14
X21148856	14	15	1C01	1E3001-12100	5	7	1D10	1E3001-67041	19	4	1E13	1E3002-14800	9	30	1D14
1A1040-26060	7	6	1D12	1E3001-12220	6	12	1D11	1E3001-67051	19	5	1E13	1E3002-15050	10	2	1D15
	13	13	1E04	1E3001-12232	6	2	1D11	1E3001-67060	19	6	1E13	1E3002-15100	10	3	1D15
1A1040-26320	15	1	1E07	1E3001-12400	6	18	1D11	1E3001-67070	19	7	1E13	1E3002-15200	10	5	1D15
1A1040-26750	15	3	1E07	1E3001-12860	6	5	1D11	1E3001-71650	23	5	1F02	1E3002-21000	11	1	1E01
1A1040-27720	15	8	1E07	1E3001-12880	6	6	1D11	1E3001-71750	23	6	1F02	1E3002-21280	11	2	1E01
1A1040-28180	15	9	1E07	1E3001-13151	8	1	1D13	1E3001-81050	28	3	1F08	1E3002-21300	11	3	1E01
1A1040-56900	17	6	1E10	1E3001-13200	8	4	1D13	1E3001-81070	28	4	1F08	1E3002-23050	11	24	1E01
		7	1E10	1E3001-13210	8	5	1D13	1E3001-81160	28	9	1F08	1E3002-23130	11	7	1E01
1A1040-56910	17	8	1E10	1E3001-13220	8	6	1D13	1E3001-81170	28	10	1F08	1E3002-23151	11	8	1E01
1A1040-57390	17	23	1E10	1E3001-14010	9	1	1D14	1E3001-97050	29	3	1F10	1E3002-23160	11	9	1E01
1A1040-58170	16	2	1E09	1E3001-14020	9	2	1D14	1E3001-97130	29	6	1F10	1E3002-23180	11	10	1E01
1A1070-28210	18	3	1E12	1E3001-14030	9	3	1D14	1E3001-97140	29	7	1F10		30	17	1F12
1A1070-28690	13	28	1E04	1E3001-14100	9	11	1D14	1E3001-97200	29	10	1F10	1E3002-23200	11	11	1E01
1A1120-28130	14	15	1E06	1E3001-14110	9	12	1D14	1E3001-98850	30	13	1F12	1E3002-23300	11	12	1E01
1A1120-57980	17	9	1E10	1E3001-14120	9	13	1D14	1E3002-01100	2	2	1D04	1E3002-52010	12	4	1E03
1A1120-61541	18	10	1E12	1E3001-14140	9	14	1D14	1E3002-01150	2	3	1D04	1E3002-52100	12	6	1E03
1A1140-51410	16	1	1E09	1E3001-14150	9	15	1D14	1E3002-01300	3	1	1D06	1E3002-56100	15	15	1E07
1A1180-83000	30	2	1F12	1E3001-14160	9	16	1D14	1E3002-01450	3	2	1D06	1E3002-56350	13	36	1E04
1A1290-82050	30	1	1F12	1E3001-14170	9	17	1D14	1E3002-01500-1	3	3	1D06	1E3002-61010	16	3	1E09
1A1380-46460	25	16	1F04	1E3001-14180	9	18	1D14	1E3002-01600	3	5	1D06	1E3002-61050-1	16	4	1E09
	26	5	1F05	1E3001-14900	9	31	1D14	1E3002-01650	3	6	1D06	1E3002-61120-1	16	5	1E09
1A1380-55660	17	5	1E10	1E3001-15150	10	4	1D15	1E3002-01700-1	3	7	1D06	1E3002-61200-1	16	6	1E09
1A1650-21080	9	4	1D14	1E3001-52000	12	3	1E03	1E3002-01750-1	3	8	1D06	1E3002-63010	17	10	1E10
1A1680-46460	24	2	1F03	1E3001-52050	12	5	1E03	1E3002-01830-1	3	9	1D06	1E3002-63050	17	11	1E10
1A2020-83100	27	6	1F07	1E3001-52120	12	7	1E03	1E3002-11010	4	1	1D08	1E3002-63100	17	12	1E10
1A2020-83120	27	7	1F07	1E3001-52170	12	8	1E03	1E3002-11450	4	6	1D08	1E3002-63130	17	13	1E10
1A2020-83130	27	8	1F07	1E3001-53040	13	30	1E04	1E3002-12000	6	1	1D11	1E3002-63150	17	14	1E10
1A2020-83350	27	9	1F07	1E3001-53060	14	16	1E06	1E3002-12020	5	2	1D10	1E3002-63400	17	20	1E10
1C6140-46750	22	8	1E16	1E3001-53070	14	17	1E06	1E3002-12030	5	3	1D10	1E3002-63450	17	21	1E10

PART NO.	GRP. NO.	REF. NO.	LOC. NO.	PART NO.	GRP. NO.	REF. NO.	LOC. NO.	PART NO.	GRP. NO.	REF. NO.	LOC. NO.	PART NO.	GRP. NO.	REF. NO.	LOC. NO.
1E3002-63500	17	22	1E10	1E6070-54091	14	23	1E06	1E6910-73190	24	7	1F03	104104-21600	6	16	1808
1E3002-63610	17	27	1E10	1E6070-54110	14	24	1E06	1E6910-73200	24	8	1F03	104107-07900	9	59	1812
1E3002-63651	17	29	1E10	1E6070-54140	14	25	1E06	1E6910-73210	24	17	1F03	104200-03600	3	34	1805
1E3002-63700	17	30	1E10	1E6070-54230	14	28	1E06	1E6910-73350	24	18	1F03	104200-03641	3	35	1805
1E3002-63750	17	31	1E10	1E6070-54240	14	29	1E06	1E6910-73500	25	9	1F04	104200-21530	6	11	1808
1E3002-66100	19	8	1E13	1E6070-54410	14	31	1E06	1E6910-73540	24	9	1F03	104200-55750	12	13	1815
1E3002-66150	21	2	1E15	1E6070-54460	14	32	1E06		25	10	1F04	104200-76480	8	15	1810
1E3002-66350	21	4	1E15	1E6070-54610	14	33	1E06	1E6910-73550	24	10	1F03	104271-01950	1	28	1803
1E3002-66370	21	5	1E15			34	1E06	1E8061-97950	29	13	1F10	104271-51450	11	25	1814
1E3002-66500	22	5	1E16	1E6070-56290	15	18	1E07	1E8090-73100	25	5	1F04	104271-51460	11	26	1814
1E3002-66760	22	6	1E16	1E6071-53360	13	32	1E04	1E8180-73600	26	1	1F05	104300-55160	9	31	1811
1E3002-71010	23	3	1F02	1E6071-54220	14	27	1E06	1NE050-43760	20	1	1E14	104300-76460	5	9	1807
1E3002-73051	24	15	1F03	1E6090-56040	15	11	1E07	1M1070-24300	13	19	1E04	104607-44540	9	13	1811
1E3002-73101	24	16	1F03	1E6090-56060	15	12	1E07	1M1070-24430	13	20	1E04	105010-11920	3	27	1805
1E3002-73151	24	3	1F03	1E6090-56070	15	13	1E07	1M1070-24451	13	21	1E04	105090-66551	13	28	1816
1E3002-73170	24	20	1F03	1E6090-56080	15	14	1E07	1M1070-24480	13	22	1E04	105092-07101	2	6	1804
1E3002-73500	26	9	1F05	1E6090-56100	15	16	1E07	1M1070-24510	13	23	1E04	105100-01660	1	23	1803
1E3002-81150	28	8	1F08	1E6090-56420	15	19	1E07	1M1070-24520	13	24	1E04	105100-44770	10	6	1813
1E3002-97060	29	4	1F10	1E6102-84970	19	10	1E13	1M1070-24530	13	25	1E04	105100-44780	10	7	1813
1E3002-97120	29	5	1F10	1E6140-52210	13	2	1E04	1M1070-24750	13	11	1E04	105100-55540	9	43	1811
1E3002-97160	29	8	1F10	1E6140-52240	13	3	1E04	1M1070-24811	13	1	1E04	105100-77010	14	1	1C01
1E3002-97170	29	9	1F10	1E6140-52260	13	4	1E04	1M1070-24910	13	26	1E04	105140-76500	1	22	1803
1E3002-97290	29	14	1F10	1E6140-52270	13	5	1E04	1M1070-25010	14	5	1E06	105192-78540	9	56	1811
1E3002-97300	29	15	1F10	1E6140-52280	13	6	1E04	1M1070-25020	14	6	1E06	105198-44590	9	11	1811
1E3002-97310	29	16	1F10	1E6140-73420	14	35	1E06	1M1070-25031	14	7	1E06	105198-55520	9	40	1811
1E3002-97320	29	17	1F10	1E6150-53141	13	31	1E04	1M1070-25041	14	8	1E06	105200-51100	11	3	1814
1E3002-97360	29	18	1F10	1E6150-54210	14	26	1E06	1M1070-25181	14	9	1E06	105212-13590	4	19	1806
1E3002-97370	29	19	1F10	1E6150-54370	14	30	1E06	1M1070-25210	14	10	1E06	105215-76490	5	26	1807
1E3002-97400	29	20	1F10	1E6150-54570	26	8	1F05	1M1070-25350	14	11	1E06	105225-66990	3	39	1805
1E3002-98020	30	7	1F12	1E6150-54581	26	6	1F05	1M1070-25360	14	12	1E06		13	17	1816
1E4030-24040	14	2	1E06	1E6150-56010	15	4	1E07	1M1070-25450	14	13	1E06	105230-01200	1	4	1803
1E4030-24150	14	3	1E06	1E6150-56030	13	35	1E04	1M1070-25460	14	14	1E06	105230-02320	6	32	1808
1E4030-27340	15	7	1E07	1E6150-71370	23	4	1F02	1M1070-26410	15	2	1E07	105292-55450	9	37	1811
1E4030-27350	13	27	1E04	1E6150-83910	12	11	1E03	1M1070-26451	15	6	1E07	105292-55460	9	38	1811
1E4030-99330	15	20	1E07		28	12	1F08	1M1251-51070	28	1	1F08	105292-55471	9	39	1811
1E4060-16050	17	2	1E10	1E6210-82580	3	10	1D06	1M1251-51090	28	7	1F08	105300-01300	1	9	1803
1E4060-26430	17	3	1E10	1E6250-53740	13	33	1E04	1M1730-67151	29	12	1F10	105300-01331	1	10	1803
1E4070-14040	14	1	1E06	1E6320-53030	13	29	1E04	1M1740-37170	17	4	1E10	105300-01410	1	24	1803
1E4070-79020	12	9	1E03	1E6320-53740	13	34	1E04	1M1910-45310	21	1	1E15	105300-01480	1	11	1803
1E4351-50180	17	26	1E10	1E6320-56010	15	10	1E07	1M1940-42720	22	13	1E16	105300-01690	1	25	1803
1E6020-25340	12	1	1E03	1E6320-78910	29	2	1F10	101104-01760	1	27	1803	105300-02020	6	35	1808
1E6020-83890	3	11	1D06	1E6320-81820	28	5	1F08	101147-12550	4	10	1806	105300-03082	8	24	1810
	12	10	1E03	1E6460-03200	18	1	1E12	101158-03061	8	23	1810	105300-03130	8	26	1810
	13	60	1E05	1E6460-03210	18	2	1E12	101158-03111	8	25	1810	105300-07910	9	60	1812
	19	9	1E13	1E6460-73050	25	3	1F04	101158-11180	3	11	1805	105300-07940	9	61	1812
	28	11	1F08	1E6460-73080	25	4	1F04	101158-11190	3	12	1805	105300-08510	8	30	1810
1E6030-67030	18	8	1E12	1E6460-73170	24	4	1F03	101158-11230	3	20	1805	105300-11100	3	8	1805
	20	7	1E14	1E6460-73190	24	6	1F03				1805	105300-11111	3	9	1805
	21	6	1E15	1E6470-01350	1	4	1D03	101504-55051	9	28	1811	105300-11290	3	13	1805
	22	2	1E16	1E6550-05050	27	1	1F07	102100-67080	13	37	1816	105300-11310	3	43	1805
1E6050-58240	25	2	1F04	1E6570-73201	25	8	1F04	103338-32070	8	7	1810	105300-11330	3	7	1805
1E6070-54030	14	20	1E06	1E6910-73150	25	6	1F04	103338-32570	8	8	1810	105300-11650	3	18	1805
1E6070-54060	14	21	1E06	1E6910-73160	25	7	1F04	103854-51251	11	19	1814	105300-11660	3	22	1805
1E6070-54070	14	22	1E06	1E6910-73180	24	5	1F03	103854-55220	9	32	1811	105300-11801	3	3	1805

PART NO.	GRP. NO.	REF. NO.	LOC. NO.	PART NO.	GRP. NO.	REF. NO.	LOC. NO.	PART NO.	GRP. NO.	REF. NO.	LOC. NO.	PART NO.	GRP. NO.	REF. NO.	LOC. NO.
105300-11900	3	26	1805	105300-55610	12	4	1815	105400-14010	5	1	1807	129499-51300	11	6	1814
105300-12511	4	3	1806	105300-55700	12	5	1815	105400-22190	7	1	1809	129500-53050	12	33	1815
105300-12550	4	11	1806	105300-55750	12	17	1815	105400-22471	7	19	1809	135210-61090	13	12	1816
105300-13200	4	15	1806	105300-59020	12	19	1815	105400-22481	7	26	1809	160120-76940	6	26	1808
105300-13522	4	16	1806	105300-59100	12	25	1815	105400-22510	7	21	1809		9	16	1811
105300-13550	4	17	1806	105300-59561	12	26	1815	105400-22520	7	28	1809	160260-01580	4	14	1806
105300-14090	5	3	1807	105300-59570	12	27	1815	105400-44250	9	2	1811	160370-78950	9	57	1811
105300-14100	5	4	1807	105300-59800	12	28	1815	105400-44800	10	8	1813	160725-78350	9	17	1811
105300-14200	5	5	1807	105300-61600	13	5	1816	105400-55520	9	41	1811	172147-17200	27	3	1F07
105300-14400	5	6	1807	105300-66011	13	6	1816	105402-07070	2	3	1804	172336-03500	29	1	1F10
105300-14600	5	7	1807	105300-66110	13	21	1816	105402-07080	2	4	1804	172730-55110	27	4	1F07
105300-21100	6	5	1808	105300-66300	13	7	1816	105402-07090	2	5	1804	174100-54120	11	17	1814
105300-21200	6	10	1808	105300-66400	13	8	1816	105402-07100	2	7	1804	174307-51170	11	9	1814
105300-21360	6	20	1808	105300-66520	13	22	1816	105402-44340	9	4	1811	174307-51181	11	10	1814
105300-21381	6	21	1808	105300-66610	13	33	1816	105402-44360	9	5	1811	174307-51700	11	30	1814
105300-21591	6	12	1808	105300-66850	13	23	1816	105402-55250	9	35	1811	192010-24160	14	4	1E06
105300-22300	7	8	1809	105300-76470	8	16	1810	105402-55260	9	36	1811	22117-100000	13	24	1816
105300-22400	7	9	1809	105300-76490	8	17	1810	105402-55420	9	50	1811	22137-060000	17	32	1E10
105300-23200	7	14	1809	105300-77470	14	29	1C01	105402-55810	9	44	1811			33	1E10
105300-23910	7	12	1809	105302-01750	1	26	1803	105472-21350	6	19	1808	22137-080000	10	19	1813
105300-28251	5	14	1807	105302-03740	3	36	1805	105500-55530	9	42	1811		3	12	1D06
105300-28300	5	16	1807	105302-08101	8	34	1810	105502-67301	13	38	1816		13	37	1E04
105300-28310	5	17	1807	105302-14700	5	8	1807	106100-21130	6	6	1808			38	1E04
105300-28380	5	18	1807	105302-21320	6	18	1808	106100-44560	9	14	1811	22137-100000	13	7	1E04
105300-28410	5	19	1807	105302-28701	5	21	1807	106100-44650	10	14	1813	22137-120000	16	8	1E09
105300-28450	5	20	1807	105302-28710	5	22	1807	106100-44960	10	16	1813			12	1E09
105300-34040	1	19	1803	105302-28720	5	23	1807	106383-44720	10	3	1813	22137-130000	17	34	1E10
105300-35052	8	10	1810	105302-55040	9	27	1811	106383-44740	10	4	1813	22137-240000	11	4	1E01
105300-44212	10	1	1813	105302-76330	8	12	1810	114250-51190	11	11	1814	22217-060000	14	31	1C01
105300-44220	9	1	1811	105302-76790	8	19	1810	114250-53080	12	36	1815		13	39	1E04
105300-44330	9	3	1811	105340-44710	10	2	1813	114250-53120	12	40	1815	22217-080000	10	17	1813
105300-44451	6	24	1808	105340-44750	10	5	1813	114250-53130	12	41	1815		3	13	1D06
	9	6	1811	105362-21600	6	15	1808	114250-53140	12	42	1815		5	8	1D10
105300-44460	6	25	1808	105362-28750	5	25	1807	114250-53210	12	43	1815		9	21	1D14
	9	7	1811	105362-78960	8	27	1810	114250-53400	12	44	1815		11	14	1E01
105300-44491	9	8	1811	105370-12531	4	4	1806	119625-11870	3	17	1805		13	40	1E04
105300-44512	9	9	1811	105370-12540	4	7	1806	119625-11880	3	16	1805			41	1E04
105300-44570	9	10	1811	105370-12570	4	8	1806	120270-09310	9	24	1811			42	1E04
105300-44630	9	15	1811	105370-12670	4	9	1806	121250-44590	9	12	1811			43	1E04
105300-44810	10	13	1813	105370-13570	4	18	1806	121450-01220	1	6	1803		20	8	1E14
105300-44850	10	9	1813	105370-55650	12	1	1815	121550-01200	1	5	1803	22217-100000	9	5	1D14
105300-44900	14	28	1C01	105370-55710	12	16	1815	121575-21850	13	11	1816		13	8	1E04
105300-44940	10	15	1813	105372-55100	9	30	1811	123325-02500	6	33	1808			44	1E04
105300-51400	11	24	1814	105372-77480	14	30	1C01	124060-39451	14	27	1C01		20	9	1E14
105300-51500	11	27	1814	105372-78040	9	52	1811	124060-66950	13	34	1816		26	2	1F05
105300-51510	11	28	1814	105372-78250	9	54	1811	124550-51320	11	20	1814			7	1F05
105300-51550	11	29	1814	105372-78260	9	55	1811	124550-51341	11	21	1814	22217-120000	10	10	1813
105300-51800	11	41	1814	105377-78020	9	51	1811	124550-51350	11	22	1814		1	1	1D03
105300-53100	12	37	1815	105400-02300	6	36	1808	124550-51370	11	23	1814			5	1D03
105300-55080	9	29	1811	105400-02310	6	37	1808	124722-59050	12	23	1815		2	5	1D04
105300-55240	9	34	1811	105400-11010	3	44	1805	124766-59050	12	21	1815		5	9	1D10
105300-55340	12	8	1815	105400-11121	3	10	1805			24	1815		11	15	1E01
105300-55520	12	2	1815	105400-12020	4	1	1806	124950-51190	11	12	1814		16	9	1E09
105300-55530	12	3	1815	105400-12050	4	2	1806	129301-03660	12	51	1815		23	7	1F02

PART NO.	GRP. NO.	REF. NO.	LOC. NO.	PART NO.	GRP. NO.	REF. NO.	LOC. NO.	PART NO.	GRP. NO.	REF. NO.	LOC. NO.	PART NO.	GRP. NO.	REF. NO.	LOC. NO.	
22217-240000	11	5	1E01	24101-060144	6	22	1D11	24550-015100	10	7	1D15	26018-080204	17	40	1E10	
22242-000150	10	8	1D15	24101-060174	7	8	1D12		12	13	1E03		20	13	1E14	
	12	12	1E03	24101-062024	14	38	1E06	24550-040200	5	17	1D10	26022-050102	11	44	1B14	
22242-000160	13	45	1E04			39	1E06	24761-010000	4	9	1D08		13	10	1B16	
22242-000170	8	10	1D13	24101-062030	11	17	1E01		22	9	1E16	26022-050122	3	21	1D06	
22242-000200	8	22	1B10	24101-062034	8	16	1D13	24761-060000	11	21	1E01		27	5	1F07	
22242-000210	5	27	1B07			14	40	1E06		24	13	1F03	26022-060122	5	12	1B07
22242-000250	8	11	1D13			41	1E06		25	13	1F04	26023-060252	8	29	1B10	
		12	1D13	24101-062044	14	42	1E06	25117-003751	10	20	1B13	26043-100302	25	14	1F04	
	10	9	1D15			43	1E06	25123-004600	10	11	1D15			15	1F04	
	20	10	1E14	24101-062054	9	25	1D14	25123-005801	12	14	1E03	26106-060102	14	33	1C01	
22242-000300	9	22	1D14			44	1E06	26013-060122	7	10	1D12	26106-060122	6	17	1B08	
		23	1D14	24101-062064	9	26	1D14	26013-060129	9	19	1B11			27	1B08	
22242-000450	6	38	1B08			27	1D14	26013-060142	9	18	1B11			28	1B08	
22242-000900	6	21	1D11			45	1E06	26013-060162	9	20	1B11		8	9	1B10	
22252-000100	1	20	1B03	24101-062074	9	32	1D14	26013-060222	5	30	1B07			35	1B10	
22252-000400	8	13	1D13	24101-062104	6	23	1D11	26013-080162	10	21	1B13		9	21	1B11	
	11	16	1E01	24101-063034	14	46	1E06	26013-080202	6	39	1B08			22	1B11	
22252-000421	14	36	1E06	24101-063054	8	17	1D13		9	7	1D14			47	1B11	
	25	11	1F04	24104-062054	20	12	1E14		12	15	1E03		13	26	1B16	
22252-000471	24	11	1F03	24107-062013	10	11	1B13		20	16	1E14	26106-060162	1	33	1B03	
22252-000521	14	37	1E06	24111-062124	6	24	1D11	26013-080209	4	20	1B06	26106-060202	6	29	1B08	
	20	11	1E14	24190-100001	15	5	1E07	26013-080252	7	11	1D12		9	23	1B11	
22252-000621	8	14	1D13	24190-120001	1	21	1B03		11	22	1E01			58	1B11	
	9	24	1D14			13	9	1B16	26013-080302	4	10	1D08	26106-060252	1	34	1B03
22272-000100	17	35	1E10	24211-017002	11	18	1E01		5	13	1D10		10	22	1B13	
22312-030180	3	40	1B05	24211-060002	6	25	1D11			14	1D10	26106-060602	3	45	1B05	
22322-030180	3	41	1B05	24217-020002	6	26	1D11		22	4	1E16	26106-060652	1	35	1B03	
22322-030200	13	19	1B16	24231-017000	11	19	1E01	26013-120302	14	32	1C01	26106-080162	5	31	1B07	
22351-050025	17	36	1E10	24231-020000	6	27	1D11		22	16	1E16	26106-080202	4	12	1B06	
22351-060012	1	3	1B03	24231-060000	6	28	1D11		24	14	1F03	26106-080222	9	48	1B11	
		18	1B03	24242-001100	6	29	1D11	26013-120452	24	21	1F03	26106-080302	10	23	1B13	
22360-060000	17	37	1E10	24311-000060	1	31	1B03	26016-060164	18	12	1E12		12	18	1B15	
22417-200160	17	38	1E10	24311-000070	3	42	1B05	26016-080164	3	14	1D06	26106-080602	4	13	1B06	
22451-060080	13	25	1B16			20	1B16		19	11	1E13	26106-100162	9	49	1B11	
22512-050120	6	7	1B08	24311-000140	13	9	1E04	26016-100404	16	14	1E09	26106-100652	5	32	1B07	
22512-070600	5	10	1B07			22	14	1E16	26018-060124	28	13	1F08	26116-060102	6	34	1B08
22512-100260	6	8	1B08	24311-000160	12	15	1B15			14	1F08	26116-060504	10	24	1B13	
22551-070250	8	15	1D13			47	1E04	26018-060164	3	15	1D06	26116-080202	8	19	1D13	
22551-070350	10	10	1D15	24311-000210	8	18	1D13			16	1D06		13	48	1E04	
23061-100020	17	39	1E10	24321-000250	1	32	1B03			17	1D06			49	1E04	
23064-090400	8	28	1B10	24321-000350	18	11	1E12		16	15	1E09	26116-080452	5	15	1D10	
23395-020000	21	7	1E15	24321-000450	5	11	1D10	26018-060204	27	2	1F07	26116-080902	13	50	1E04	
23396-030200	21	8	1E15	24321-000500	11	20	1E01	26018-080164	2	7	1D04	26116-081102	13	51	1E04	
23414-080000	9	33	1B11	24321-000550	6	30	1D11			8	1D04	26116-081202	13	52	1E04	
	13	46	1E04	24321-000600	6	31	1D11		3	18	1D06	26116-100202	20	14	1E14	
23871-030000	5	10	1D10			22	3	1E16		10	12	1D15	26116-100302	6	7	1D11
	7	7	1D12	24321-000800	9	28	1D14			18	13	1E12		26	3	1F05
	9	6	1D14	24321-001000	22	15	1E16		28	15	1F08	26116-100402	9	8	1D14	
24101-060044	25	12	1F04	24341-000200	8	11	1B10	26018-080204	2	6	1D04	26116-100502	9	9	1D14	
24101-060054	5	28	1B07	24421-750013	6	32	1D11		3	19	1D06	26116-100602	26	4	1F05	
	24	12	1F03	24421-952013	5	12	1D10			20	1D06	26116-120322	1	2	1D03	
24101-060064	5	11	1B07	24423-851013	7	9	1D12		10	13	1D15	26116-120352	2	9	1D04	
24101-060084	5	29	1B07	24510-720414	6	33	1D11		12	16	1E03	26116-120554	5	16	1D10	

PART NO.	GRP. NO.	REF. NO.	LOC. NO.	PART NO.	GRP. NO.	REF. NO.	LOC. NO.	PART NO.	GRP. NO.	REF. NO.	LOC. NO.	PART NO.	GRP. NO.	REF. NO.	LOC. NO.
26117-060202	13	53	1E04	26797-080002	8	20	1D13								
26117-060259	17	28	1E10		22	10	1E16								
26117-060309	17	24	1E10	26979-060162	4	12	1D08								
26117-080162	13	54	1E04	26979-080142	6	8	1D11								
26117-080302	21	9	1E15	26979-080302	22	11	1E16								
26117-080702	3	22	1D06	27231-150000	3	5	1B05								
26117-100452	23	8	1F02	28110-100120	30	3	1F12								
26216-060202	14	34	1C01	28110-140170	30	4	1F12								
26216-060352	3	29	1B05	28110-190220	30	5	1F12								
26216-080222	1	36	1B03	28110-220240	30	6	1F12								
26216-080352	13	14	1E04	28150-040000	30	8	1F12								
		17	1E04	28150-050000	30	9	1F12								
26216-080452	3	28	1B05	28150-060000	30	10	1F12								
26226-100302	13	15	1E04	28150-080000	30	11	1F12								
		18	1E04	28150-100000	30	12	1F12								
26366-060002	3	30	1B05	28210-000140	30	15	1F12								
26366-080002	1	37	1B03	43400-500430	13	36	1B16								
	3	31	1B05	7E3002-73100	25	1	1F04								
26367-080002	16	10	1E09	7E3002-73180	24	1	1F03								
	21	10	1E15	7E4133-99290	30	14	1F12								
26450-080302	9	29	1D14	7E6150-51500	10	6	1D15								
	11	23	1E01		12	2	1E03								
	20	15	1E14	7E6251-77320	18	9	1E12								
26450-120602	16	13	1E09	704500-22503	7	3	1B09								
26554-060162	4	21	1B06	705300-01561	1	1	1B03								
26557-060082	8	36	1B10	705300-02500	6	30	1B08								
26577-060162	13	55	1E05	705300-21700	6	1	1B08								
26587-080122	5	13	1B07	705300-23100	7	10	1B09								
26617-100002	9	62	1B12	705300-23600	7	15	1B09								
26716-060002	14	35	1C01	705300-23610	7	17	1B09								
26716-080002	10	18	1B13	705300-23620	7	18	1B09								
26716-120002	5	18	1D10	705300-32500	8	1	1B10								
26717-060002	4	11	1D08	705300-61700	13	1	1B16								
	28	6	1F08	705302-01502	1	12	1B03								
26717-080002	13	56	1E05	705302-11520	3	32	1B05								
		57	1E05	705302-66530	13	13	1B16								
	15	21	1E07	705302-76900	8	13	1B10								
26717-100002	9	10	1D14	705400-01900	1	7	1B03								
	13	10	1E04	705400-11700	3	1	1B05								
		58	1E05	705400-51103	11	1	1B14								
26717-120002	1	6	1D03	705402-55700	9	25	1B11								
	16	11	1E09	711100-51540	11	14	1B14								
26717-160002	24	19	1F03	724550-51520	11	13	1B14								
26737-240002	11	6	1E01	729500-53200	12	32	1B15								
	30	18	1F12	933110-09500	30	16	1F12								
26756-060002	10	25	1B13	933110-96000	29	11	1F10								
	13	27	1B16												
		39	1B16												
26756-080002	3	21	1B05												
		25	1B05												
	13	59	1E05												
26757-080002	15	22	1E07												
26777-120002	10	12	1B13												
26796-100002	13	35	1B16												

TOTAL (ITEM# 824) (REF.# 964)





**YANMAR AGRICULTURAL EQUIPMENT CO.,LTD.**

1-32, Chayamachi, Kita-ku, OSAKA 530, JAPAN

Tel:06-376-6348 Cable:YANMAR OSAKA Telex:5233623